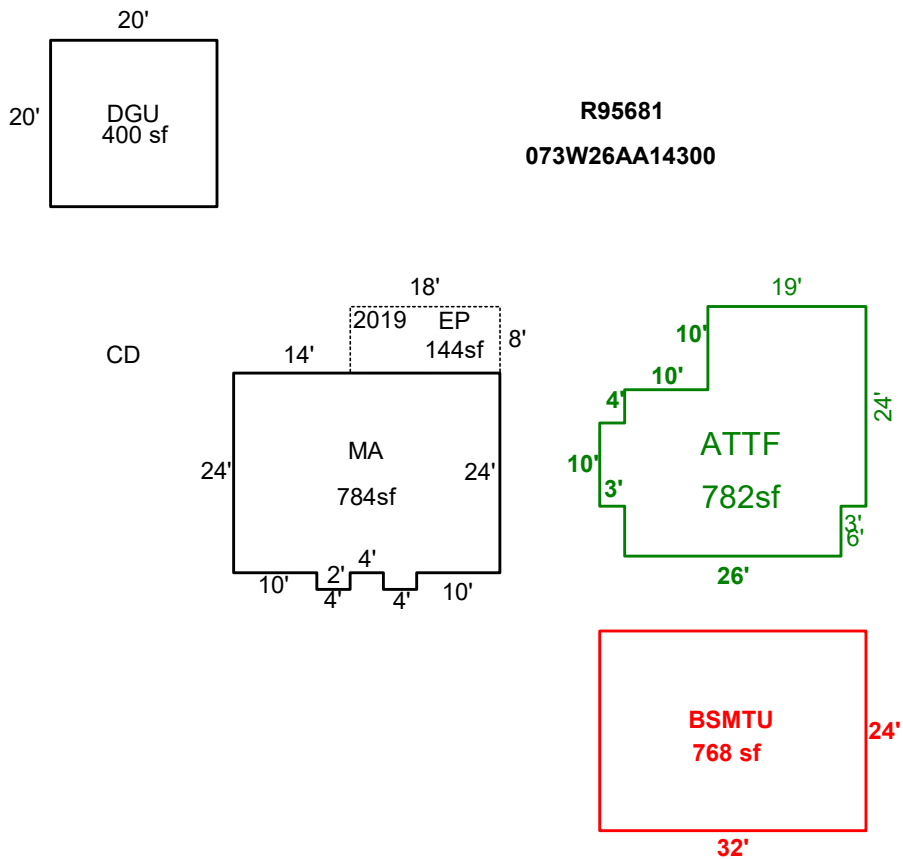


# SKETCH/AREA TABLE ADDENDUM

## SUBJECT INFO

File No.: R95681		Parcel No.: 073W26AA14300	
Property Address: 565 ROSE ST NE			
City: SALEM	County: MARION	State: OR	ZipCode: 97301
Owner:			
Client:		Client Address:	
Appraiser Name:		Inspection Date:	

## SKETCH



Sketch by Apex Sketch

### AREA CALCULATIONS SUMMARY

Code	Description	Factor	Net Size	Perimeter	Net Totals
GLA1	MA	1.0	784.0	120.0	784.0
AGF	DGU	1.0	400.0	80.0	400.0
ATTF	ATTF	1.0	782.0	124.0	782.0
BSMTU	BSMTU	1.0	768.0	112.0	768.0
P/P	EP	1.0	144.0	52.0	144.0

### COMMENT TABLE 1

by B Daun 3/27/12  
 UPDATED BY KMOORE 4/26/19  
 UPDATED BY CBAILEY 12/17/20

### COMMENT TABLE 2

10/29/19 #96 TAG VER

### COMMENT TABLE 3

Net LIVABLE                      cnt                      1                      (rounded)                      784