

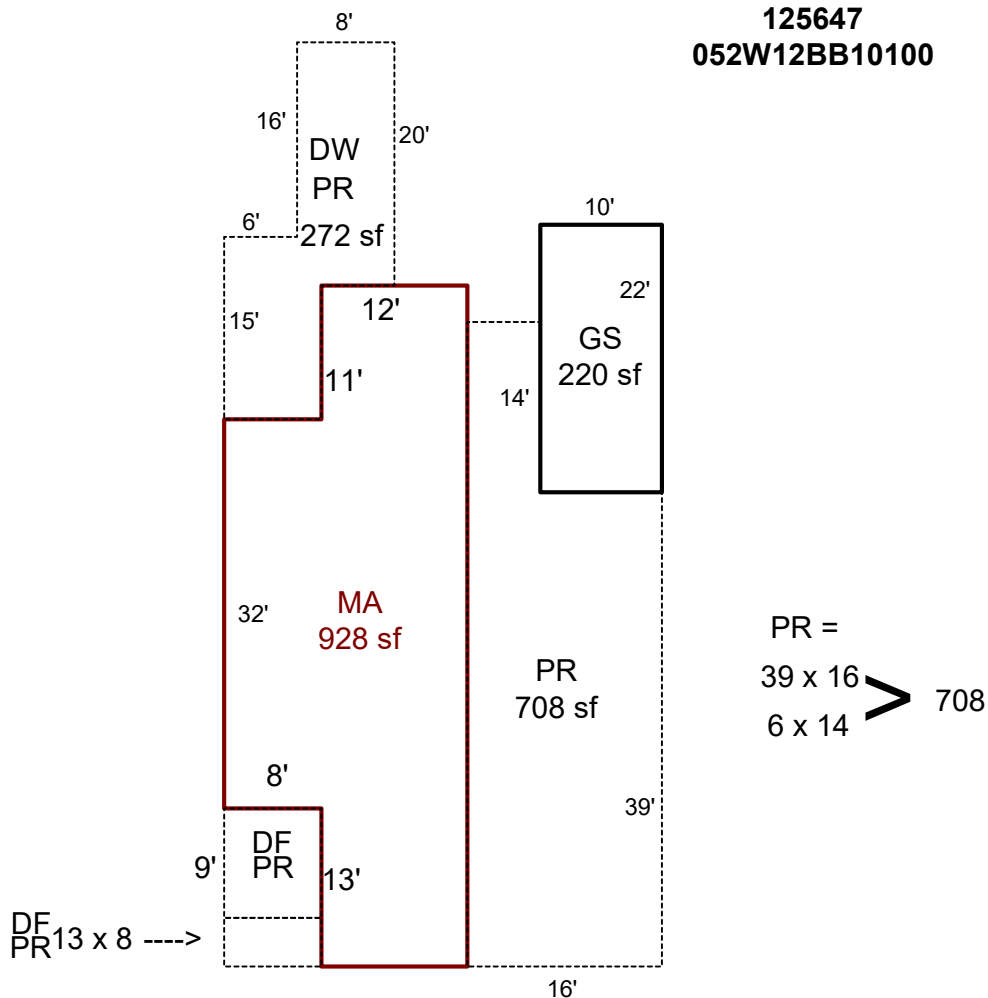
SKETCH/AREA TABLE ADDENDUM

SUBJECT INFO

File No.: 125647 Parcel No.: 052W12BB10100
 Property Address: 7 Juniper Cir
 City: Woodburn County: Marion State: OR ZipCode: 97071
 Owner:
 Client:
 Appraiser Name: Client Address:
 Inspection Date:

SKETCH

125647
052W12BB10100



Sketch by ApexSketch

AREA CALCULATIONS SUMMARY

Code	Description	Factor	Net Size	Perimeter	Net Totals
GBA	GS	1.0	220.0	64.0	220.0
MFH	MA	1.0	928.0	152.0	928.0
P/P	PR	1.0	708.0	138.0	
	DW	1.0	272.0	90.0	
	DF	1.0	72.0	34.0	
	PR	1.0	32.0	24.0	1084.0

COMMENT TABLE 1

Drawn by Agalenbeck, 07/05/24

COMMENT TABLE 2

COMMENT TABLE 3

Net LIVABLE	cnt	1	(rounded)		928
Net BUILDING	cnt	1	(rounded)		220