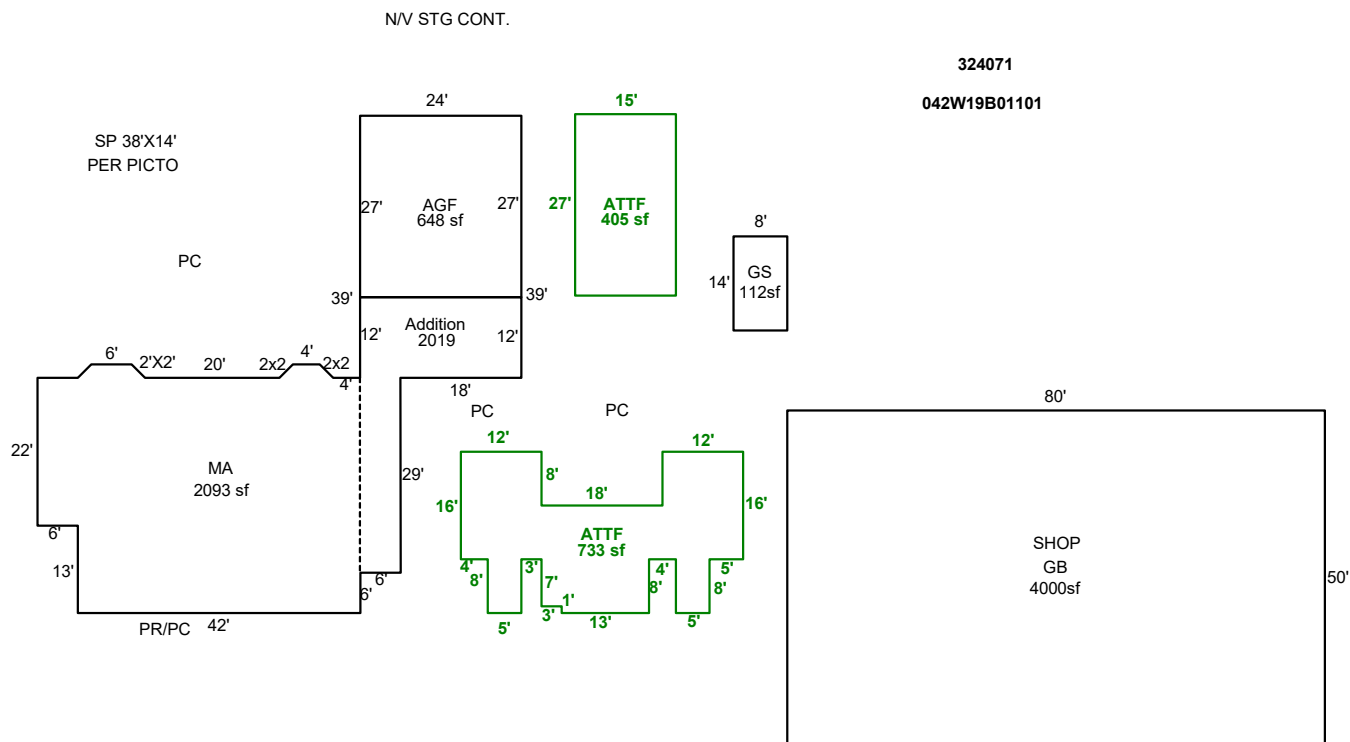


SKETCH/AREA TABLE ADDENDUM

SUBJECT INFO

File No.: 324071 Parcel No.: 042W19B01101
 Property Address: 3904 MISSION RD NE
 City: ST PAUL County: MARION State: OR ZipCode: 97137
 Owner:
 Client: Client Address:
 Appraiser Name: Inspection Date:

SKETCH



Sketch by ApexSketch

AREA CALCULATIONS SUMMARY						COMMENT TABLE 1	
Code	Description	Factor	Net Size	Perimeter	Net Totals		
GBA	GS	1.0	112.0	44.0		DRAWN BY PST 10/05/09 UPDATED BY MONA 08.17.17 UPDATED BY KMOORE 3/28/19 UPDATED BY LK 8.15.23 Updated by AE 8.21.24	
	GB	1.0	4000.0	260.0	4112.0		
GLA1	MA	1.0	2092.6	241.3	2092.6		
GLA2	ATTF	1.0	733.0	180.0			
	ATTF	1.0	405.0	84.0	1138.0		
AGF	AGF	1.0	648.0	102.0	648.0		
						COMMENT TABLE 2	COMMENT TABLE 3
						6.2.17 #97 CYC NV 7.17.23 cycle sh	
Net LIVABLE		cnt	3	(rounded)	3,231		
Net BUILDING		cnt	2	(rounded)	4,112		