

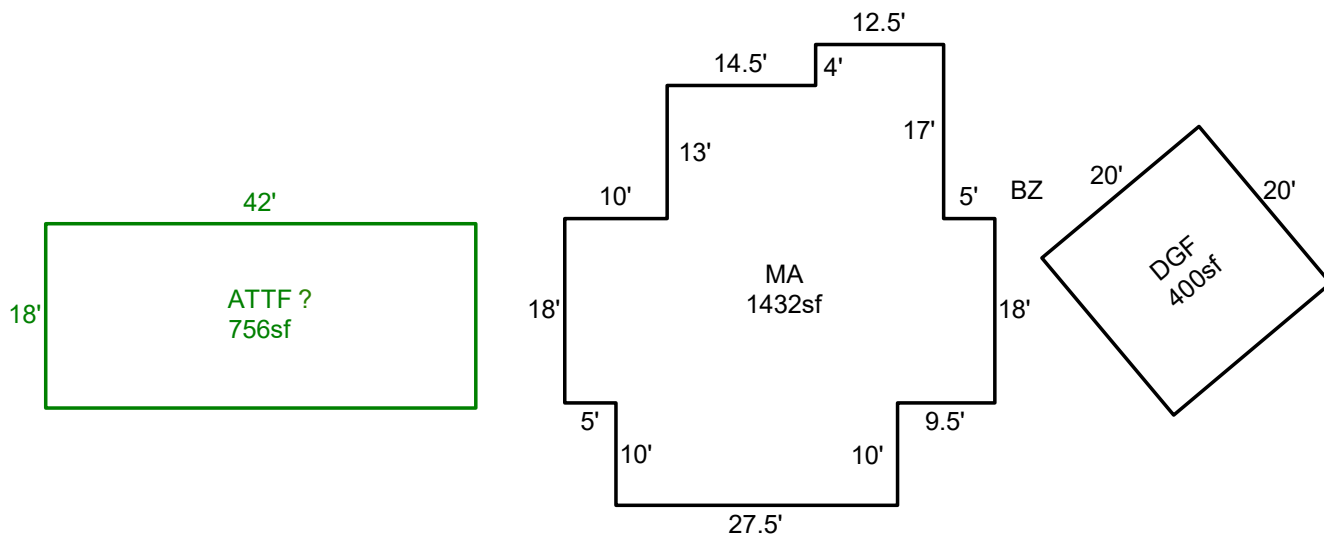
SKETCH/AREA TABLE ADDENDUM

SUBJECT INFO

File No.: 598211 Parcel No.: 105E01BC16800
 Property Address: 115 Forest Ave E
 City: Detroit County: Marion State: OR ZipCode: 97342
 Owner:
 Client: Client Address:
 Appraiser Name: Inspection Date:

SKETCH

598211
105E01BC16800



Sketch by ApexSketch

AREA CALCULATIONS SUMMARY						COMMENT TABLE 1		
Code	Description	Factor	Net Size	Perimeter	Net Totals			
GLA	MA	1.0	1432.0	174.0	1432.0	Apex by RW 05/22/08 UPDATED BY SH 9-12-08 Updated by AE 10.3.24		
GLA2	ATTF	1.0	756.0	120.0	756.0			
GAR	DGF	1.0	400.0	80.0	400.0			
Net LIVABLE						cnt	2 (rounded)	2,188
						COMMENT TABLE 2	COMMENT TABLE 3	