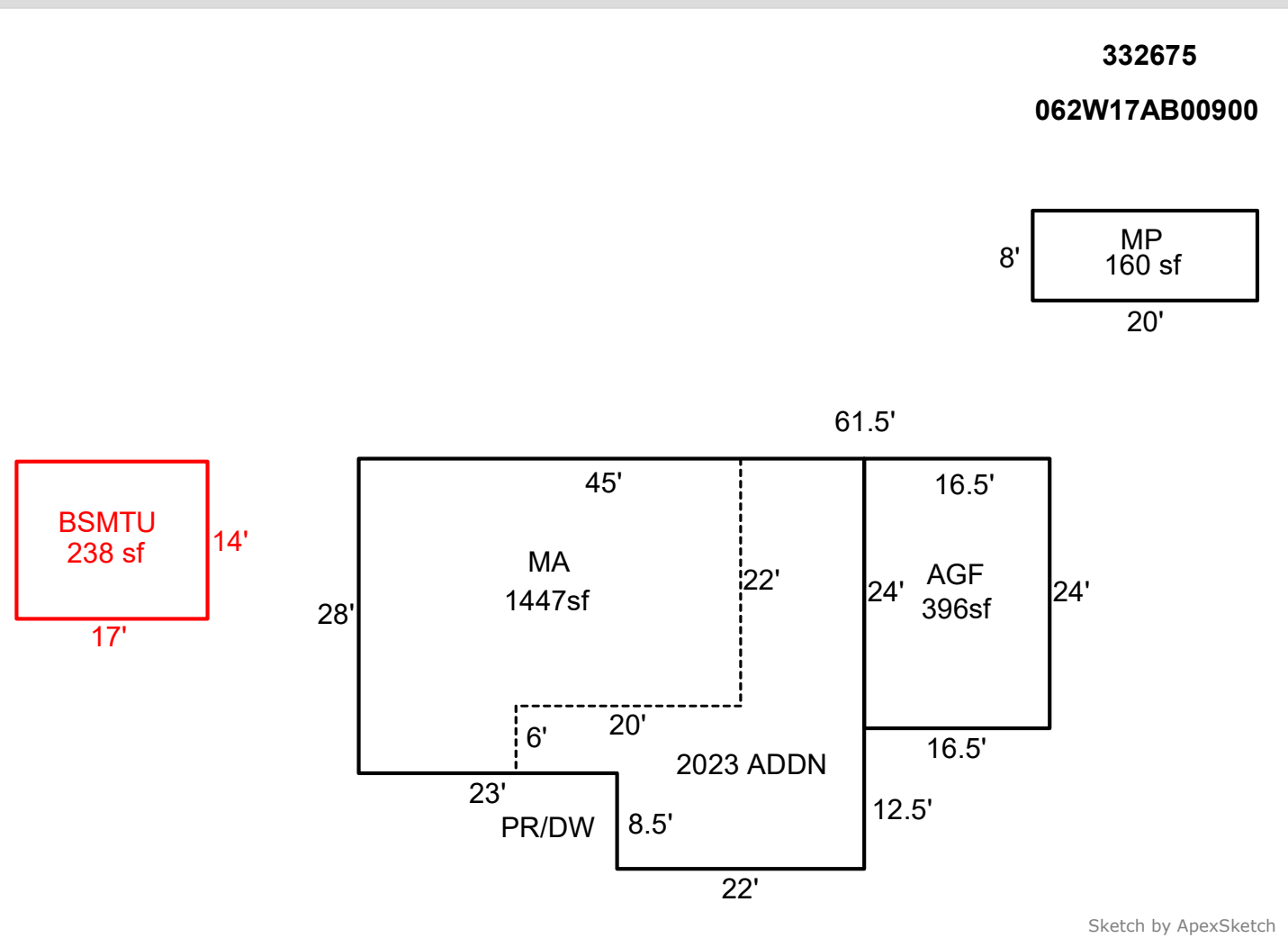


SKETCH/AREA TABLE ADDENDUM

SUBJECT INFO

File No.: 332675 Parcel No.: 062W17AB00900
 Property Address: 9273 GLORY CT NE
 City: SALEM County: Marion State: OR ZipCode: 97305
 Owner:
 Client: Client Address:
 Appraiser Name: Inspection Date:

SKETCH



Sketch by ApexSketch

AREA CALCULATIONS SUMMARY						COMMENT TABLE 1			
Code	Description	Factor	Net Size	Perimeter	Net Totals				
GLA	MA	1.0	1447.0	163.0	1447.0	Apex by JA 5/05/09 UPDATED BY JRONDEMA 8/16/16 UPDATED BY JT 11/27/23 Updated by AE 10.24.24			
BSMT	BSMTU	1.0	238.0	62.0	238.0				
GAR	AGF	1.0	396.0	81.0	396.0				
OTH	MP	1.0	160.0	56.0	160.0				
Net LIVABLE						cnt	1	(rounded)	1,447
						COMMENT TABLE 2	COMMENT TABLE 3		