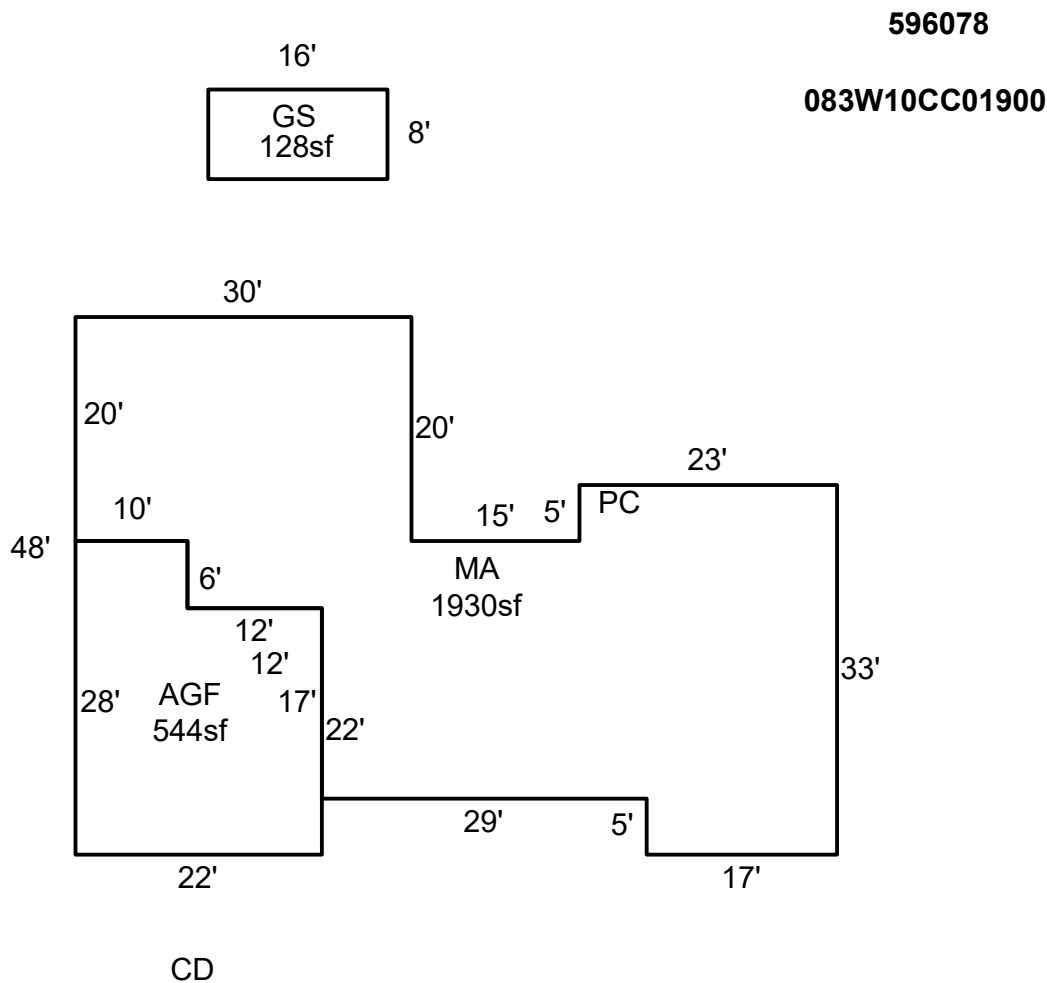


SKETCH/AREA TABLE ADDENDUM

SUBJECT INFO

File No.: 596078 Parcel No.: 083W10CC01900
 Property Address: 425 BOONE RD SE
 City: SALEM County: State: OR ZipCode: 97302
 Owner:
 Client: Client Address:
 Appraiser Name: Inspection Date:

SKETCH



AREA CALCULATIONS SUMMARY

Code	Description	Factor	Net Size	Perimeter	Net Totals
GBA1	GS	1.0	128.0	48.0	128.0
GLA	MA	1.0	1930.0	242.0	1930.0
GAR	AGF	1.0	544.0	100.0	544.0

COMMENT TABLE 1

by BLD 5/20/10
 UPDATED 4/11/11 BY TINA
 UPDATED BY LK 11.27.24

COMMENT TABLE 2

11.6.24 TAG VERIFIED SH

COMMENT TABLE 3

Net LIVABLE	cnt	1	(rounded)	1,930
Net BUILDING	cnt	0	(rounded)	128