

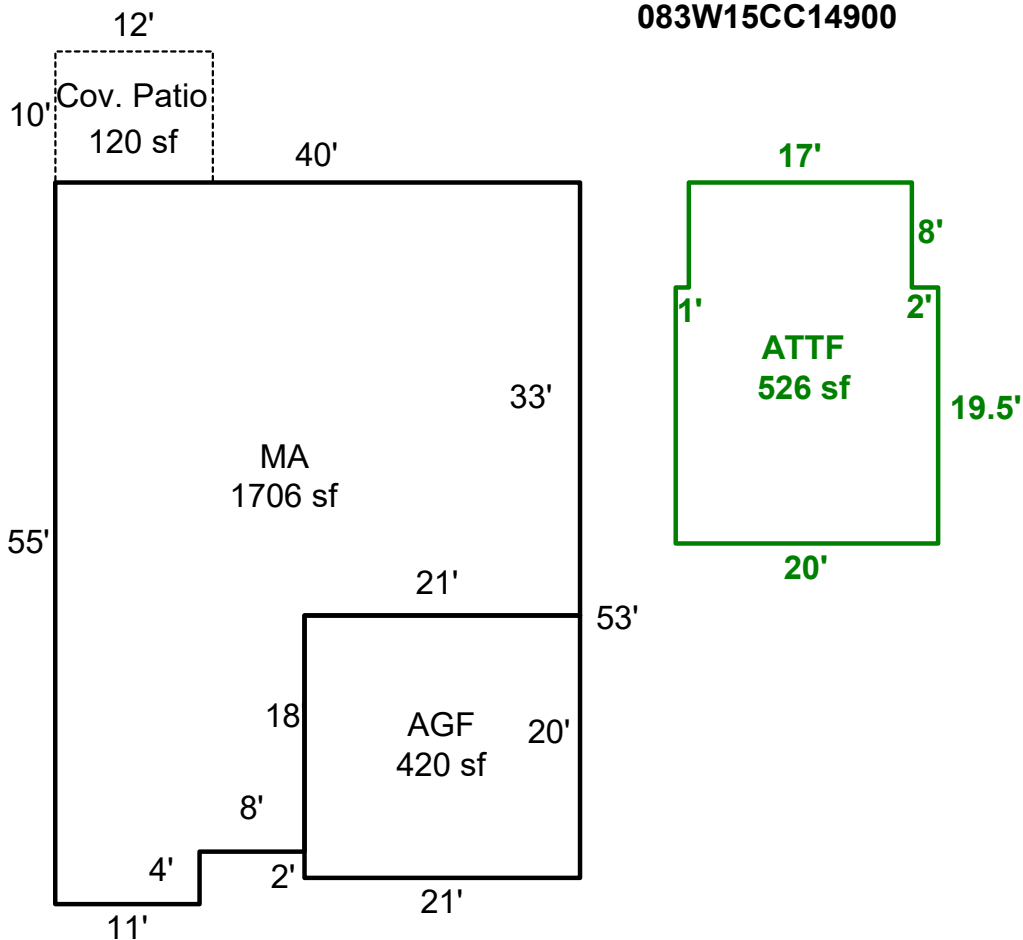
# SKETCH/AREA TABLE ADDENDUM

## SUBJECT INFO

File No.: 607338 Parcel No.: 083W15CC14900  
 Property Address: 5683 Jeremy Valley Dr SE  
 City: Salem County: MARION State: OR ZipCode:  
 Owner:  
 Client: Client Address:  
 Appraiser Name: Inspection Date:

## SKETCH

**607338**  
**083W15CC14900**



Sketch by ApexSketch

### AREA CALCULATIONS SUMMARY

Code	Description	Factor	Net Size	Perimeter	Net Totals
GLA	MA	1.0	1706.0	190.0	1706.0
GLA2	ATTF	1.0	526.0	95.0	526.0
GAR	AGF	1.0	420.0	82.0	420.0
P/P	Cov. Patio	1.0	120.0	44.0	120.0

### COMMENT TABLE 1

Drawn by AEIwood 7/1/24  
 UPDATED BY LK 12.3.24

### COMMENT TABLE 2

11.7.24 TAG VERIFIED SH

### COMMENT TABLE 3

Net LIVABLE                      cnt                      2                      (rounded)                      2,232