

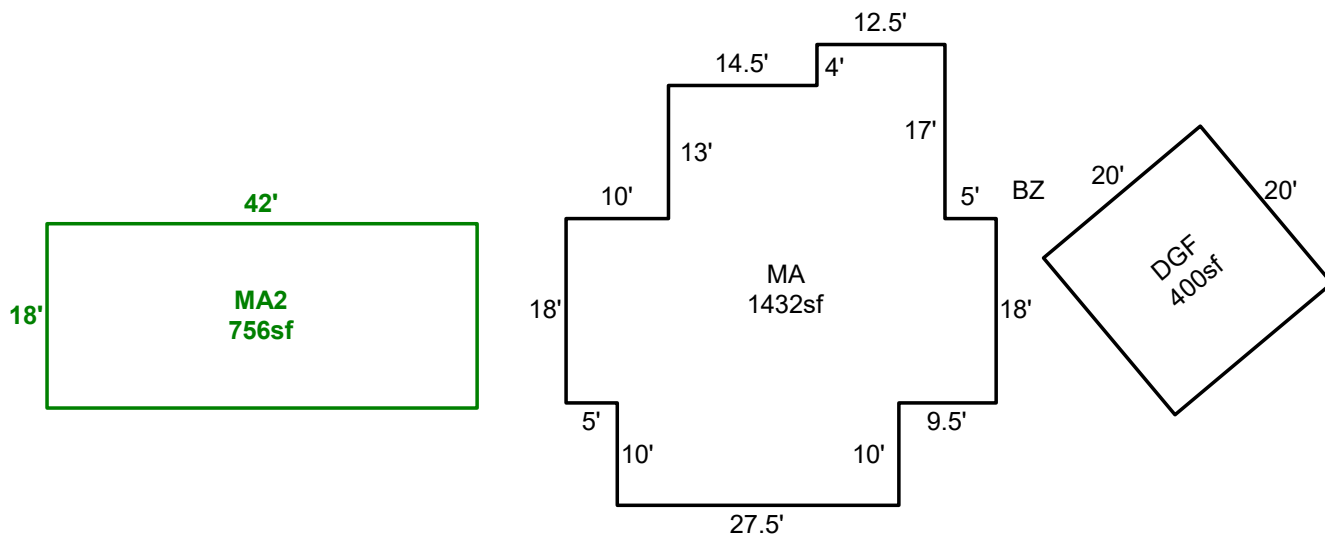
# SKETCH/AREA TABLE ADDENDUM

## SUBJECT INFO

File No.: 598211 Parcel No.: 105E01BC16800  
 Property Address: 115 Forest Ave E  
 City: Detroit County: Marion State: OR ZipCode: 97342  
 Owner:  
 Client: Client Address:  
 Appraiser Name: Inspection Date:

## SKETCH

**598211**  
**105E01BC16800**



Sketch by ApexSketch

AREA CALCULATIONS SUMMARY						COMMENT TABLE 1		
Code	Description	Factor	Net Size	Perimeter	Net Totals			
GLA	MA	1.0	1432.0	174.0	1432.0	Apex by RW 05/22/08 UPDATED BY SH 9-12-08 Updated by AE 10.3.24 UPDATED BY LK 1.6.25		
GLA2	MA2	1.0	756.0	120.0	756.0			
GAR	DGF	1.0	400.0	80.0	400.0			
Net LIVABLE						cnt	2 (rounded)	2,188
						COMMENT TABLE 2	COMMENT TABLE 3	
						12.19.24 TAG TS		