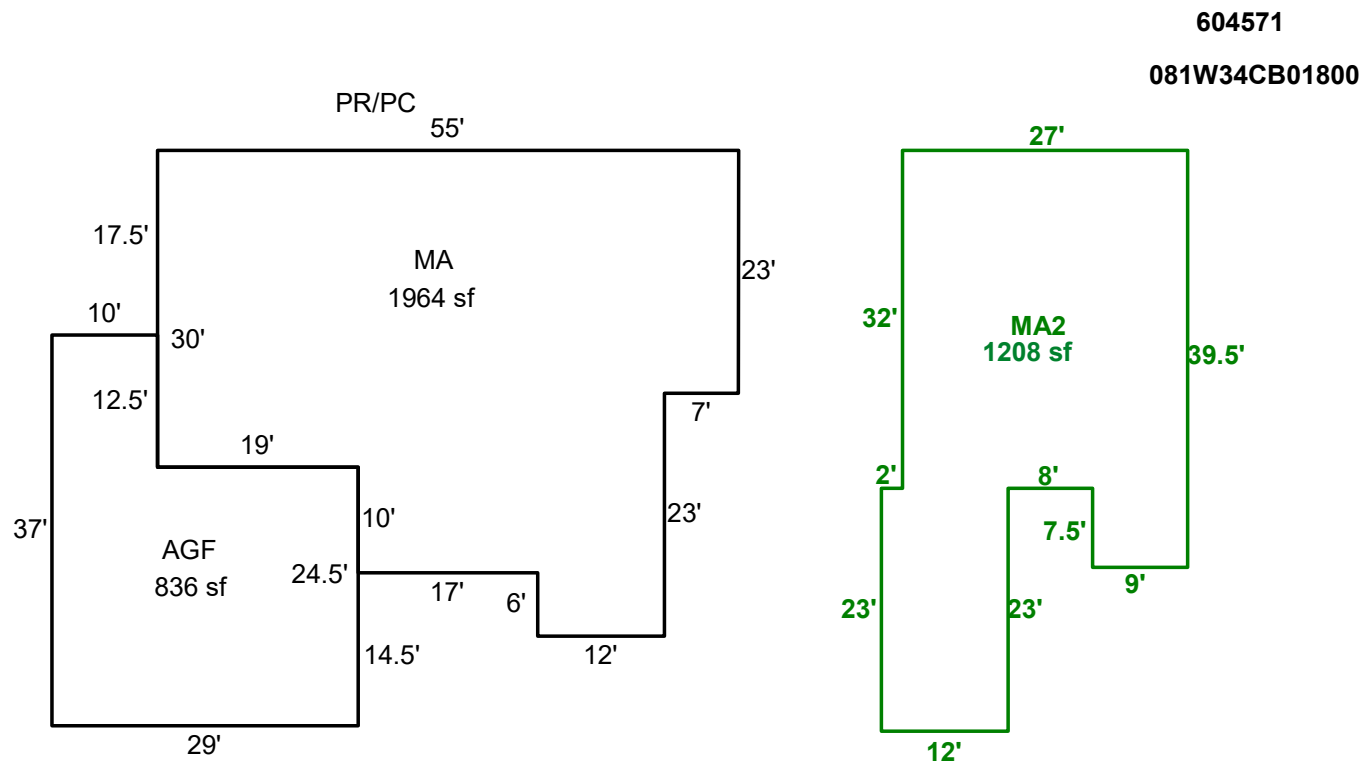


SKETCH/AREA TABLE ADDENDUM

SUBJECT INFO

File No.: 604571 Parcel No.: 081W34CB01800
 Property Address: 701 NW GEORGE CT
 City: SUBLIMITY County: Marion State: OR ZipCode: 97385
 Owner:
 Client: Client Address:
 Appraiser Name: Inspection Date:

SKETCH



Sketch by ApexSketch

AREA CALCULATIONS SUMMARY

Code	Description	Factor	Net Size	Perimeter	Net Totals
GBA	MA2	1.0	1207.5	183.0	1207.5
GLA	MA	1.0	1963.5	202.0	1963.5
GAR	AGF	1.0	835.5	132.0	835.5

COMMENT TABLE 1

DRAWN BY JT 12/11/23
 Updated by AE 1.13.25

COMMENT TABLE 2

COMMENT TABLE 3

Net LIVABLE	cnt	1	(rounded)		1,964
Net BUILDING	cnt	1	(rounded)		1,208