

Summary Lead Appr: ww 12.31.24 Clerk: _____ Lead Clerk: _____ Appr: MDL Japert Print Date: 9/24/2024

Acct ID: 535909 MTL: 092W340000500 Date: 11/21/24 Appr: MDL Prop Class: 551 RMV Prop Class: 451
 Situs: 6488 STAYTON RD SE TURNER OR 97392 MaSaNh: 07 06 000 Unit: 42509 Year: 2024
 Last Date Appraised: 11/07/2023 Appraiser: MATT LORD Retag: Y N Tag info: 2025 - NEW CONSTRUCTION (Completion)
 Owner: RODRIQUEZ, RAMIRO & RODRIGUEZ, GRACIELA Roll Type: R
 Cycle Tag Sales Verification Other: _____ Inspection level: 1 2 3 4 LCB TTO INSP AV: 183324
 RMV Land: 346650 RMV Imp: 326300 RMV Total: 672950 MAV: 149850 MSAV: 33474 SAV: 54426
 Comment: 24-25: L2 MDL 11.7.23
 23-24: L2 12.21.22 MDL
 22-23 L2 12/7/21 CLUKE

Notations 25-26 Addition 100% complete Exception

RP/MS	Code	Description
MS	ZONED	FARM EFU ZONED

OSDs 1/6/25: Unable to determine farm use, send inquiry letter per CWO

Count	Code	Description	RMV	Code Area	Exception
1	SAA	SA OSD - AVERAGE	45000	05545	0

Land

Site: 2	Code Area: 05545	Size: 1.00 Acres	Use Code: 005	Zone: REST	SAV Use: 011	Exception: 0
Class: 2BDS	Value Source: Farm Homesite	Description: TWO BENCH DRY SOUTH SPECIAL	RMV: 30160	Exception: Y	N	
Adjustment(s): GSOIL Fire Patrol: Description:						
Comments: Liability year - 2009						
Site: 3	Code Area: 05545	Size: 9.00 Acres	Use Code: 005	Zone: REST	SAV Use: 011	Exception: 0
Class: 2BDS	Value Source: Farm Use - EFU	Description: TWO BENCH DRY SOUTH SPECIAL	RMV: 271490	Exception: Y	N	
Adjustment(s): GSOIL Fire Patrol: Description:						
Comments: Liability year - 1980						

Improvements - Residence / Manufactured Structures

Bldg: 1	Code Area: 05545	Stat Class: 132	Year Blt: 1901	Eff Year Blt: 1991	Sq.Ft: 2972	% Complete: <u>86</u>
Desc: Multi Story above grade			Dimensions:	RMV: 303750	<u>100</u>	
Func Obsc: 100	Econ %: 100	Other %: 100	Exception: 0	Adjust:	Adjust RMV: 0	

Floors

Type	Class	Display Group	Floor Size	Beds	Baths	Yr Blt	Eff Yr Blt	Inventory	Exception:	Y	N
First Floor	3	Finished	864	2	FB-1	1901	1991	BATH - 1, KIT-, HVAC, ROOF	Y	N	
First Floor	3	Finished	1488	0	0	1901	1991		Y	N	
Attic	3	Finished	620	0	0	1901	1991	HVAC	Y	N	
Attic	3	Unfinished	468	0	0	1901	1991		Y	N	
Garage Attached	2	Unfinished	456	0	0	1930	1991	ROOF	Y	N	

Accessories

Description	Class	Size SqFt	Eff Yr Blt	RMV	Quantity	Exception:	Y	N
YARD IMPROVEMENTS AVERAGE	3	1	1991	12053	1	Y	N	

Improvements - Accessory Buildings

Bldg: 2	Code Area: 05545	Stat Class: 351	Year Blt: 1991	Eff Year Blt: 1991	Sq.Ft: 864	% Complete: 100
Desc: General Purpose Building (GB)			Dimensions: 36x24	RMV: 5060		
Func Obsc: 100	Econ %: 100	Other %: 100	Exception: 0	Adjust:	Adjust RMV: 0	

Floors

Type	Class	Display Group	Floor Size	Beds	Baths	Yr Blt	Eff Yr Blt	Inventory	Exception:	Y	N
General Purpose Bldg	4	Finished	864	0	0	1991	1991	FAIR	Y	N	

Accessories

Description	Class	Size SqFt	Eff Yr Blt	RMV	Quantity
No accessory data available					

Improvements - Accessory Buildings

Bldg: 3	Code Area: 05545	Stat Class: 353	Year Blt: 1991	Eff Year Blt: 1991	Sq.Ft: 1152	% Complete: 100
Desc: Machine Shed (MS)			Dimensions: 48x24	RMV: 6380		
Func Obsc: 100	Econ %: 100	Other %: 100	Exception: 0	Adjust:	Adjust RMV: 0	

Floors

Type	Class	Display Group	Floor Size	Beds	Baths	Yr Blt	Eff Yr Blt	Inventory
Machine Shed	5	Finished	1152	0	0	1991	1991	FAIR

Exception: Y N

Accessories

Description	Class	Size SqFt	Eff Yr Blt	RMV	Quantity
No accessory data available					

Bldg: 4 Code Area: 05545 Stat Class: 312 Year Blt: 1986 Eff Year Blt: 1986 Sq.Ft: 1292 % Complete: 100
 Desc: Loft Barn (LB) Dimensions: 38x34 RMV: 5220
 Func Obsc: 50 Econ %: 100 Other %: 100 Exception: 0 Adjust: Adjust RMV: 0

Floors

Type	Class	Display Group	Floor Size	Beds	Baths	Yr Blt	Eff Yr Blt	Inventory
Loft Barn	4	Finished	1292	0	0	1986	1986	AVG

Exception: Y N

Accessories

Description	Class	Size SqFt	Eff Yr Blt	RMV	Quantity
No accessory data available					

Bldg: 5 Code Area: 05545 Stat Class: 354 Year Blt: 1986 Eff Year Blt: 1986 Sq.Ft: 456 % Complete: 100
 Desc: Lean-to Light (LTL) Dimensions: 38x12 RMV: 480
 Func Obsc: 100 Econ %: 100 Other %: 100 Exception: 0 Adjust: Adjust RMV: 0

Floors

Type	Class	Display Group	Floor Size	Beds	Baths	Yr Blt	Eff Yr Blt	Inventory
Lean-to Light Duty	4	Finished	456	0	0	1986	1986	

Exception: Y N

Accessories

Description	Class	Size SqFt	Eff Yr Blt	RMV	Quantity
No accessory data available					

Bldg: 6 Code Area: 05545 Stat Class: 353 Year Blt: 1986 Eff Year Blt: 1986 Sq.Ft: 1152 % Complete: 100
 Desc: Machine Shed (MS) Dimensions: 48x24 RMV: 5410
 Func Obsc: 100 Econ %: 100 Other %: 100 Exception: 0 Adjust: Adjust RMV: 0

Floors

Type	Class	Display Group	Floor Size	Beds	Baths	Yr Blt	Eff Yr Blt	Inventory
Machine Shed	5	Finished	1152	0	0	1986	1986	AVG

Exception: Y N

Accessories

Description	Class	Size SqFt	Eff Yr Blt	RMV	Quantity
No accessory data available					



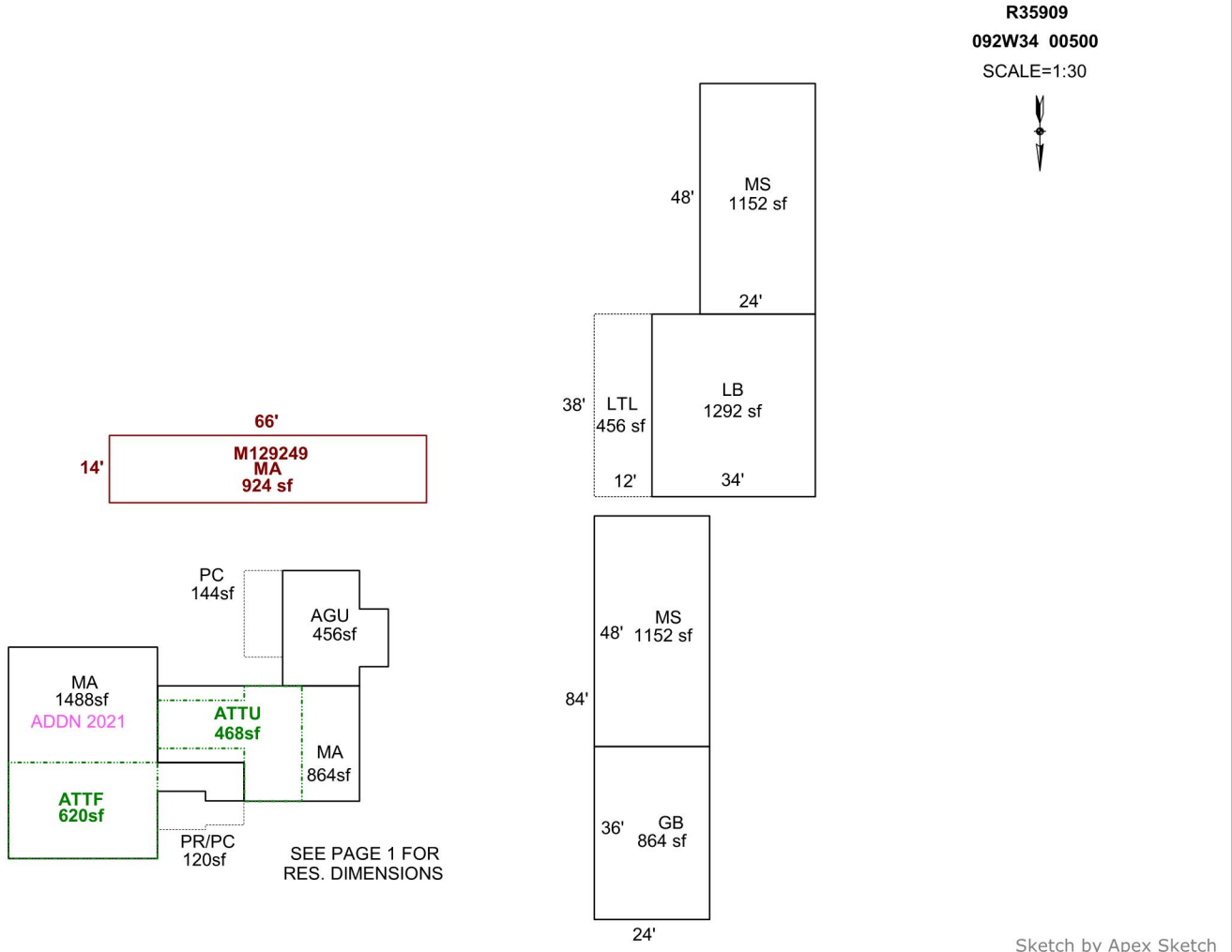
11/21/24

SKETCH/AREA TABLE ADDENDUM

SUBJECT INFO

File No.: 535909 Parcel No.: 092W34 00500
 Property Address: 6488 STAYTON RD SE
 City: TURNER County: MARION State: OR ZipCode: 97392
 Owner:
 Client: Client Address:
 Appraiser Name: Inspection Date:

SKETCH



AREA CALCULATIONS SUMMARY

Code	Description	Factor	Net Size	Perimeter	Net Totals
GBA1	GB	1.0	864.0	120.0	
	MS	1.0	1152.0	144.0	
	LB	1.0	1292.0	144.0	
	LTL	1.0	456.0	100.0	
	MS	1.0	1152.0	144.0	4916.0
GLA1	MA	1.0	924.0	160.0	
	MA	1.0	1488.0	190.0	
	MA	1.0	864.0	132.0	3276.0
GLA2	ATTF	1.0	620.0	102.0	620.0
GAR	AGU	1.0	456.0	92.0	456.0
P/P	PC	1.0	144.0	52.0	
	PR/PC	1.0	120.0	52.0	264.0
	Net LIVABLE	cnt	4 (rounded)		3,896
	Net BUILDING	cnt	5 (rounded)		4,916

COMMENT TABLE 1

DRAWN BY JRONDEMA 6/21/18
 UPDATED BY CJURAN 05/11/2021 555-21-002169

COMMENT TABLE 2

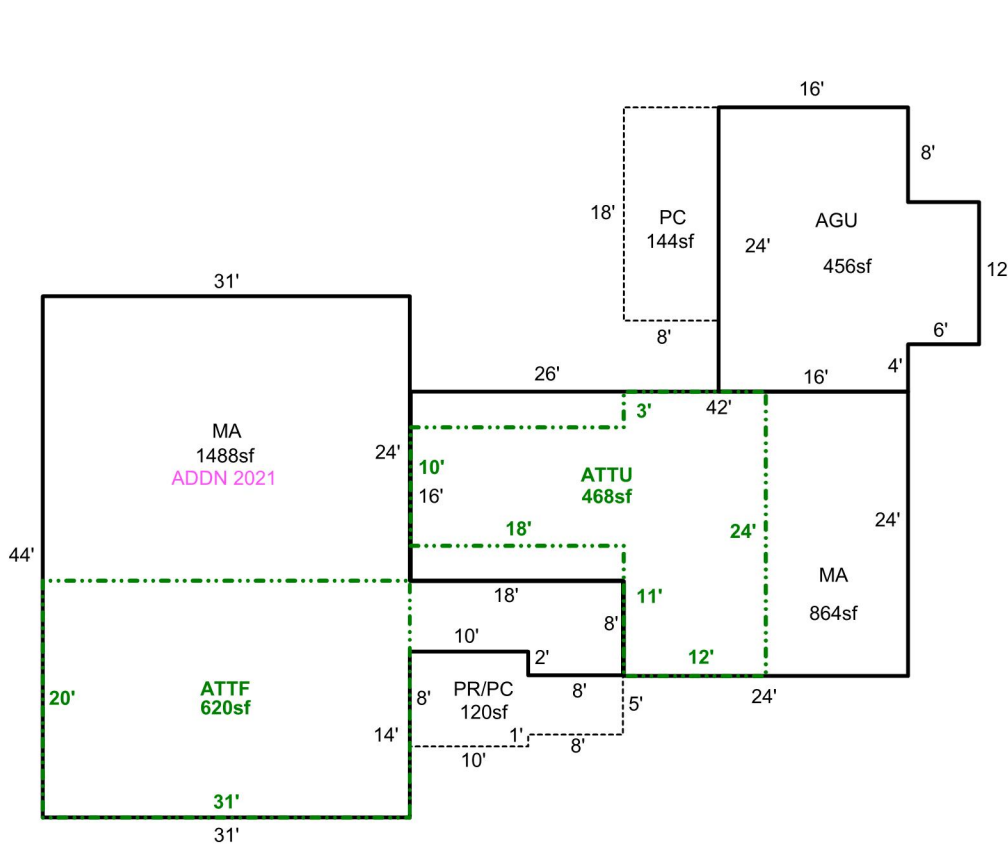
COMMENT TABLE 3

SKETCH/AREA TABLE ADDENDUM

SUBJECT INFO

File No.: 535909 Parcel No.: 092W34 00500
 Property Address: 6488 STAYTON RD SE
 City: TURNER County: MARION State: OR ZipCode: 97392
 Owner:
 Client: Client Address:
 Appraiser Name: Inspection Date:

SKETCH



R35909
092W34 00500
 SCALE=1:10

SEE PAGE 2 FOR
OTHER BLDGS

Sketch by Apex Sketch

AREA CALCULATIONS SUMMARY

Code	Description	Factor	Net Size	Perimeter	Net Totals
GLA1	MA	1.0	864.0	132.0	
	MA	1.0	1488.0	190.0	2352.0
GLA2	ATTF	1.0	620.0	102.0	620.0
GAR	AGU	1.0	456.0	92.0	456.0
P/P	PC	1.0	144.0	52.0	
	PR/PC	1.0	120.0	52.0	264.0

COMMENT TABLE 1

DRAWN BY JRONDEMA 6/21/18
 UPDATED BY CJURAN 05/11/2021 555-21-002169

COMMENT TABLE 2

COMMENT TABLE 3

Net LIVABLE cnt 3 (rounded) 2,972



Acct ID: 535909 MTL: 092W340000500 Date: 11/7/23 Appr: MDL Prop Class: 551 451 RMV Prop Class: 451
 Situs: 6488 STAYTON RD SE TURNER OR 97392 MaSaNh: 07 06 000 Unit: 42509 551 / 451 Year: 2023
 Last Date Appraised: 12/21/2022 Appraiser: MATT LORD Retag: Y N Tag info: 2024 - Tags/Permit (Completion)
 Owner: RODRIQUEZ, RAMIRO & RODRIGUEZ, GRACIELA Roll Type: R
 Cycle Tag Sales Verification Other: _____ Inspection level: 1 2 3 4 LCB TTO INSP AV: 179046
 RMV Land: 313010 RMV Imp: 296690 RMV Total: 609700 MAV: 145490 MSAV: 33556 SAV: 53935
 Comment: 23-24: L2 12.21.22 MDL
 22-23 L2 12/7/21 CLUKE



Notations 24-25: Addition N/c V1/1/25 21-002169

RP/MS	Code	Description
MS	ZONED	FARM EFU ZONED

OSDs

Count	Code	Description	RMV	Code Area	Exception
1	SAA	SA OSD - AVERAGE	45000	05545	0

Land

Site: 2	Code Area: 05545	Size: 1.00 Acres	Use Code: 005	Zone: REST	SAV Use: 011	Exception: 0
Class:	Value Source: Farm Homesite	Description:			RMV: 24590	Exception: Y N
Adjustment(s):	GSOIL		Fire Patrol:	Description:		
Comments:	Liability year - 2009					
Site: 3	Code Area: 05545	Size: 9.00 Acres	Use Code: 005	Zone: REST	SAV Use: 011	Exception: 0
Class: 2BD	Value Source: Farm Use - EFU	Description: TWO BENCH DRY			RMV: 243420	Exception: Y N
Adjustment(s):	GSOIL		Fire Patrol:	Description:		
Comments:	Liability year - 1980					

Improvements - Residence / Manufactured Structures

Bldg: 1	Code Area: 05545	Stat Class: 132	Year Blt: 1901	Eff Year Blt: 1991	Sq.Ft: 2352	% Complete: 86
Desc: Multi Story above grade					Dimensions:	RMV: 271450
Func Obsc: 100	Econ %: 100	Other %: 100	Exception: 0	Adjust:	Adjust RMV: 0	

Floors

Type	Class	Display Group	Floor Size	Beds	Baths	Yr Blt	Eff Yr Blt	Inventory	Exception
First Floor	3	Finished	2352	2	FB-1	1901	1991	KIT-, ROOF, HVAC, BATH - 1	Y N
Attic	3	Unfinished	468	0	0	1901	1991		Y N
Garage Attached	2	Unfinished	456	0	0	1930	1991	ROOF	Y N

Accessories

Attic Finished 620 SF

Description	Class	Size SqFt	Eff Yr Blt	RMV	Quantity	Exception
YARD IMPROVEMENTS AVERAGE	3	1	1991	12417	1	Y N

Improvements - Accessory Buildings

Bldg: 2	Code Area: 05545	Stat Class: 351	Year Blt: 1991	Eff Year Blt: 1991	Sq.Ft: 864	% Complete: 100
Desc: General Purpose Building (GB)					Dimensions: 36x24	RMV: 6320
Func Obsc: 100	Econ %: 100	Other %: 100	Exception: 0	Adjust:	Adjust RMV: 0	

Floors

Type	Class	Display Group	Floor Size	Beds	Baths	Yr Blt	Eff Yr Blt	Inventory	Exception
General Purpose Bldg	4	Finished	864	0	0	1991	1991	FAIR	Y N

Accessories

Description	Class	Size SqFt	Eff Yr Blt	RMV	Quantity
No accessory data available					

Bldg: 3	Code Area: 05545	Stat Class: 353	Year Blt: 1991	Eff Year Blt: 1991	Sq.Ft: 1152	% Complete: 100
Desc: Machine Shed (MS)					Dimensions: 48x24	RMV: 7970
Func Obsc: 100	Econ %: 100	Other %: 100	Exception: 0	Adjust:	Adjust RMV: 0	

Floors

Type	Class	Display Group	Floor Size	Beds	Baths	Yr Blt	Eff Yr Blt	Inventory	Exception
Machine Shed	5	Finished	1152	0	0	1991	1991	FAIR	Y N

Accessories

Description	Class	Size SqFt	Eff Yr Blt	RMV	Quantity
No accessory data available					

Bldg: 4 Code Area: 05545 Stat Class: 312 Year Blt: 1986 Eff Year Blt: 1986 Sq.Ft: 1292 % Complete: 100
 Desc: Loft Barn (LB) Dimensions: 38x34 RMV: 5100
 Func Obsc: 50 Econ %: 100 Other %: 100 Exception: 0 Adjust: Adjust RMV: 0

Floors

Type	Class	Display Group	Floor Size	Beds	Baths	Yr Blt	Eff Yr Blt	Inventory
Loft Barn	4	Finished	1292	0	0	1986	1986	Exception: Y N

Accessories

Description	Class	Size SqFt	Eff Yr Blt	RMV	Quantity
No accessory data available					

Bldg: 5 Code Area: 05545 Stat Class: 354 Year Blt: 1986 Eff Year Blt: 1986 Sq.Ft: 456 % Complete: 100
 Desc: Lean-to Light (LTL) Dimensions: 38x12 RMV: 600
 Func Obsc: 100 Econ %: 100 Other %: 100 Exception: 0 Adjust: Adjust RMV: 0

Floors

Type	Class	Display Group	Floor Size	Beds	Baths	Yr Blt	Eff Yr Blt	Inventory
Lean-to Light Duty	4	Finished	456	0	0	1986	1986	Exception: Y N

Accessories

Description	Class	Size SqFt	Eff Yr Blt	RMV	Quantity
No accessory data available					

Bldg: 6 Code Area: 05545 Stat Class: 353 Year Blt: 1986 Eff Year Blt: 1986 Sq.Ft: 1152 % Complete: 100
 Desc: Machine Shed (MS) Dimensions: 48x24 RMV: 5250
 Func Obsc: 100 Econ %: 100 Other %: 100 Exception: 0 Adjust: Adjust RMV: 0

Floors

Type	Class	Display Group	Floor Size	Beds	Baths	Yr Blt	Eff Yr Blt	Inventory
Machine Shed	5	Finished	1152	0	0	1986	1986	Exception: Y N

Accessories

Description	Class	Size SqFt	Eff Yr Blt	RMV	Quantity
No accessory data available					

Percent Complete Form

Account # _____

Additions

New Homes

		No Basement		Basement	
% Item	% Sum	% Item	% Sum	% Item	% Sum
3%	0%	Plans/Survey	3%	3%	0%
2%		Excavation	2%	4%	
3%		Foundation	3%	10%	
35%	45%	Framing	14%	20%	35%
8%	50%	Trusses	7%	30%	40%
7%	60%	Roofing	7%	35%	45%
7%	65%	Windows/Ext Doors	7%	45%	55%
5%	70%	Siding	5%	50%	60%
4%	75%	Plumbing Rough-In	4%		3%
3%		Electrical Rough-In	3%	55%	2%
2%	80%	Heating Rough-In	2%		1%
		Heating Unit	1%	1%	
3%		Insulation	3%	60%	2%
5%	85%	Drywall (Finished)	5%	65%	70%
2%	90%	Paint Interior	2%	70%	75%
2%		Paint Exterior	2%		
		Cabinets	6%	75%	80%
2%	95%	Electrical Fixtures	3%	80%	85%
2%		Plumbing Fixtures	4%	85%	
3%	100%	Floor Coverings & Countertops	7%	90%	90%
2%		Interior Trim Carpentry	7%	95%	95%
		Porch/Entry/Stoop	2%	100%	2%
	Finish Grade	1%	1%		100%

APPR _____ Date _____ YR For _____ % COMP 86%
 APPR _____ Date _____ YR For _____ % COMP _____
 APPR _____ Date _____ YR For _____ % COMP _____
 APPR _____ Date _____ YR For _____ % COMP _____

Percent Complete Form

Account # _____

Gut & Remodels

Interior Trim Carpentry	7%	90%
Floor Coverings & Countertops	7%	85%
Plumbing Fixtures	4%	80%
Electrical Fixtures	3%	80%
Cabinets	6%	75%
Drywall (Finished)	5%	70%
Insulation	3%	65%

APPR _____ Date _____ YR For _____ % COMP _____
 APPR _____ Date _____ YR For _____ % COMP _____
 APPR _____ Date _____ YR For _____ % COMP _____
 APPR _____ Date _____ YR For _____ % COMP _____

Outbuilding Type: _____

	% Item	% Sum
Excavation/Foundation	10%	40%
Floor - Concrete/Wood	30%	
Walls - Framing	10%	65%
Walls - Covering/Siding	15%	
Roof - Framing/Trusses	15%	
Roof - Sheathing	5%	95%
Roof - Cover	10%	
Doors & Windows	5%	100%

APPR _____ Date _____ YR For _____ % COMP _____
 APPR _____ Date _____ YR For _____ % COMP _____
 APPR _____ Date _____ YR For _____ % COMP _____
 APPR _____ Date _____ YR For _____ % COMP _____