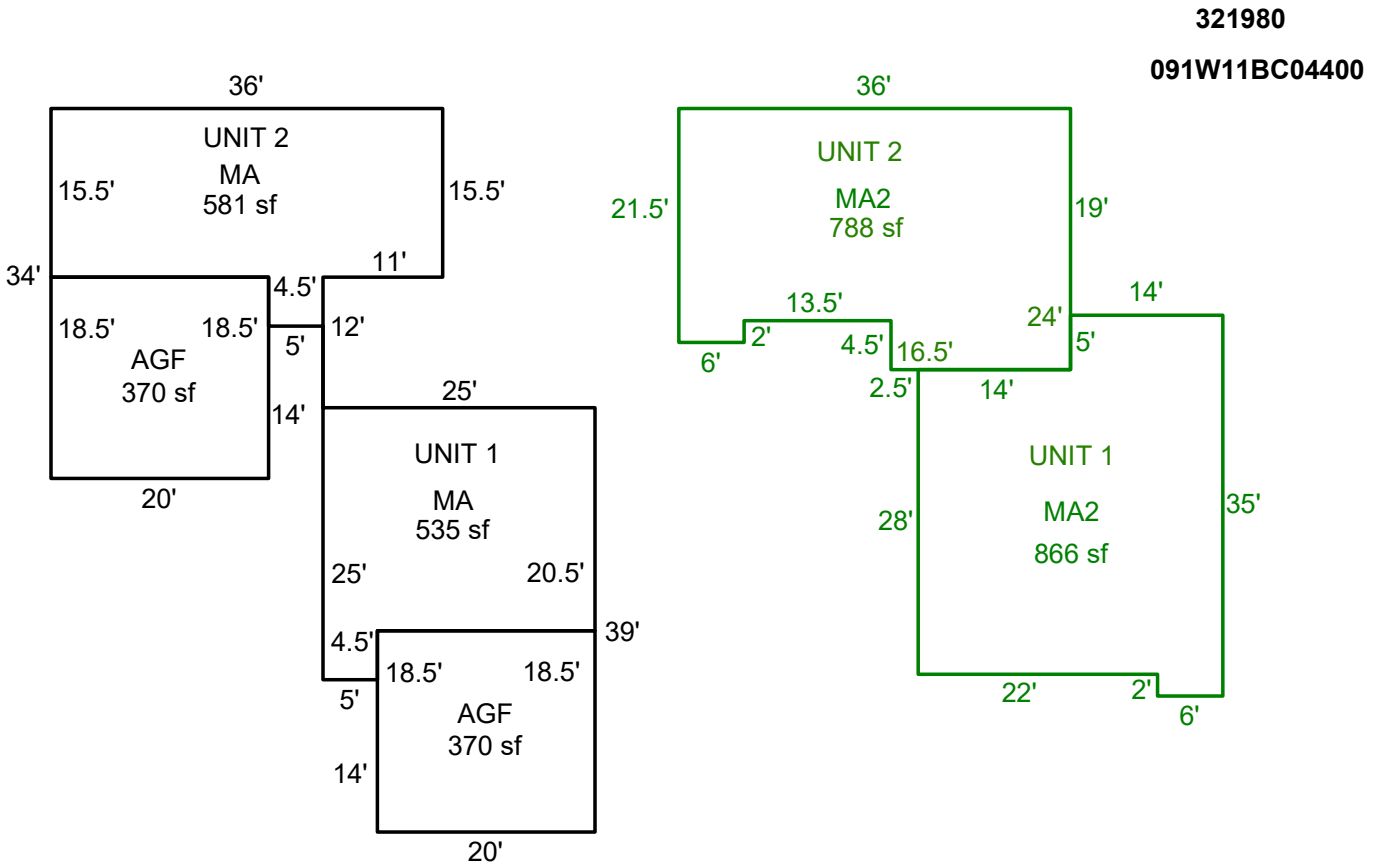


SKETCH/AREA TABLE ADDENDUM

SUBJECT INFO

File No.: 321980	Parcel No.: 091W11BC04400		
Property Address: 1125 Stonefield Ct			
City: Stayton	County: Marion	State: OR	ZipCode: 97383
Owner:			
Client:		Client Address:	
Appraiser Name:		Inspection Date:	

SKETCH



Sketch by ApexSketch

AREA CALCULATIONS SUMMARY						COMMENT TABLE 1										
Code	Description	Factor	Net Size	Perimeter	Net Totals	Drawn by AE 1.30.25										
GLA	MA	1.0	580.5	112.0												
	MA	1.0	535.0	100.0	1115.5											
GLA2	MA2	1.0	866.0	126.0												
	MA2	1.0	788.3	124.0	1654.3											
GAR	AGF	1.0	370.0	77.0												
	AGF	1.0	370.0	77.0	740.0											
Net LIVABLE								cnt	4 (rounded)							
								COMMENT TABLE 2	COMMENT TABLE 3							