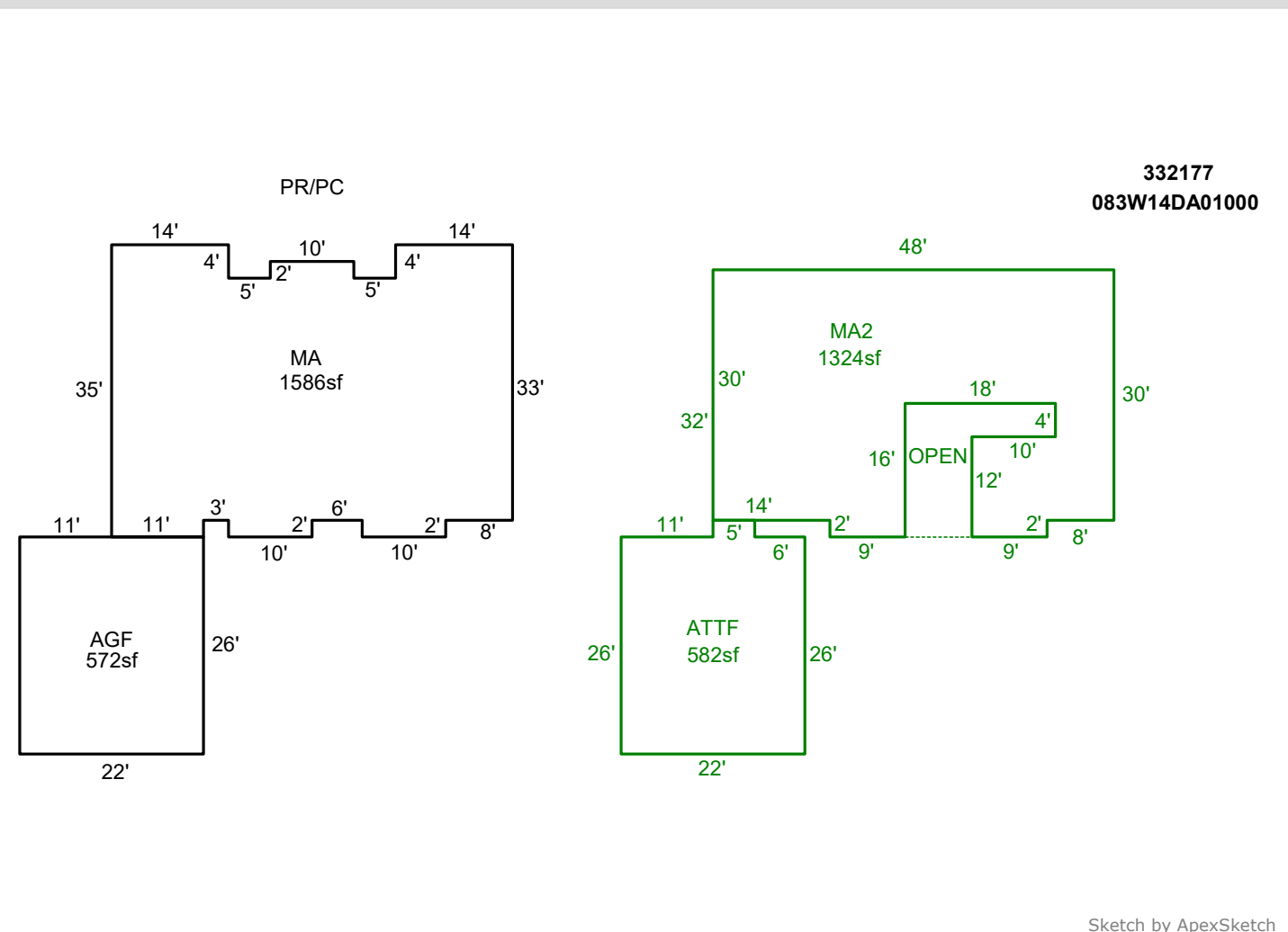


SKETCH/AREA TABLE ADDENDUM

SUBJECT INFO

File No.: 332177 Parcel No.: 083W14DA01000
 Property Address: 2404 SAGE AV SE
 City: SALEM County: Marion State: OR ZipCode: 97306
 Owner:
 Client: Client Address:
 Appraiser Name: Inspection Date:

SKETCH



AREA CALCULATIONS SUMMARY

Code	Description	Factor	Net Size	Perimeter	Net Totals
GLA1	MA	1.0	1586.0	186.0	1586.0
GLA2	MA2	1.0	1324.0	212.0	
	ATTF	1.0	582.0	100.0	1906.0
GARAGE	AGF	1.0	572.0	96.0	572.0

COMMENT TABLE 1

DRAWN BY SH 1-15-10
 Updated by AE 2.6.25

COMMENT TABLE 2

COMMENT TABLE 3

Net LIVABLE cnt 3 (rounded) 3,492