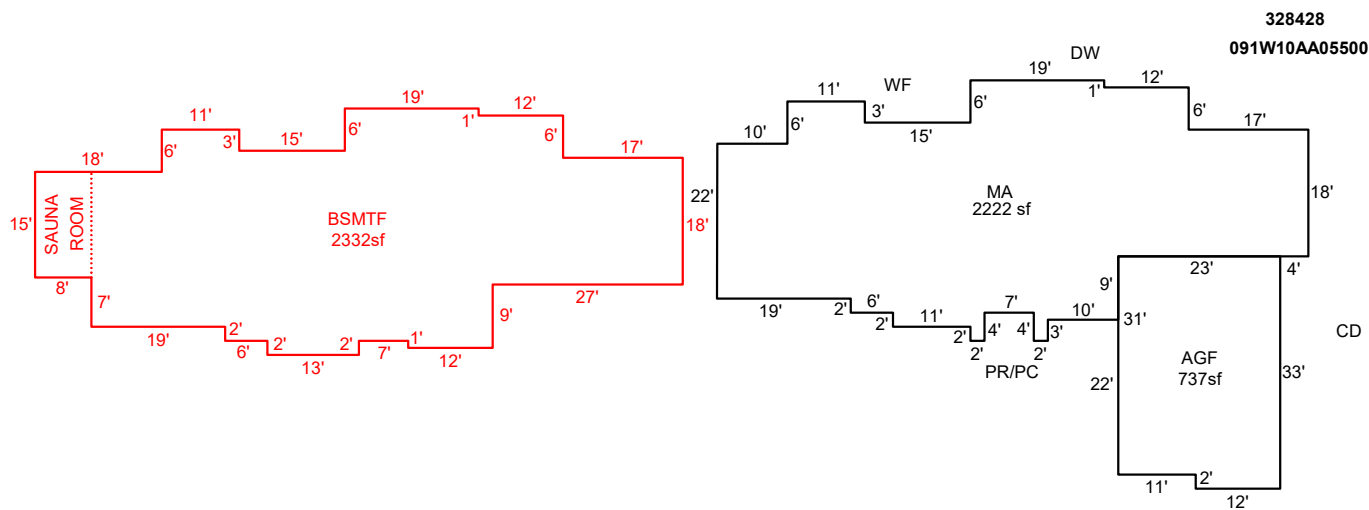


SKETCH/AREA TABLE ADDENDUM

SUBJECT INFO

File No.: 328428 Parcel No.: 091W10AA05500
 Property Address: 1677 MOUNTAIN DR
 City: STAYTON County: Marion State: OR ZipCode: 97383
 Owner:
 Client: Client Address:
 Appraiser Name: Inspection Date:

SKETCH



Sketch by ApexSketch

AREA CALCULATIONS SUMMARY						COMMENT TABLE 1		
Code	Description	Factor	Net Size	Perimeter	Net Totals			
GLA	MA	1.0	2221.5	256.0	2221.5	2/3/06 DRAWN BY BRIAN BEEBE UPDATED BY SH 4-6-09 Updated by AE 2.19.25		
BSMT	BSMTF	1.0	2332.0	262.0	2332.0			
GAR	AGF	1.0	737.0	112.0	737.0			
Net LIVABLE						cnt	1 (rounded)	2,222
						COMMENT TABLE 2	COMMENT TABLE 3	
						Verified		