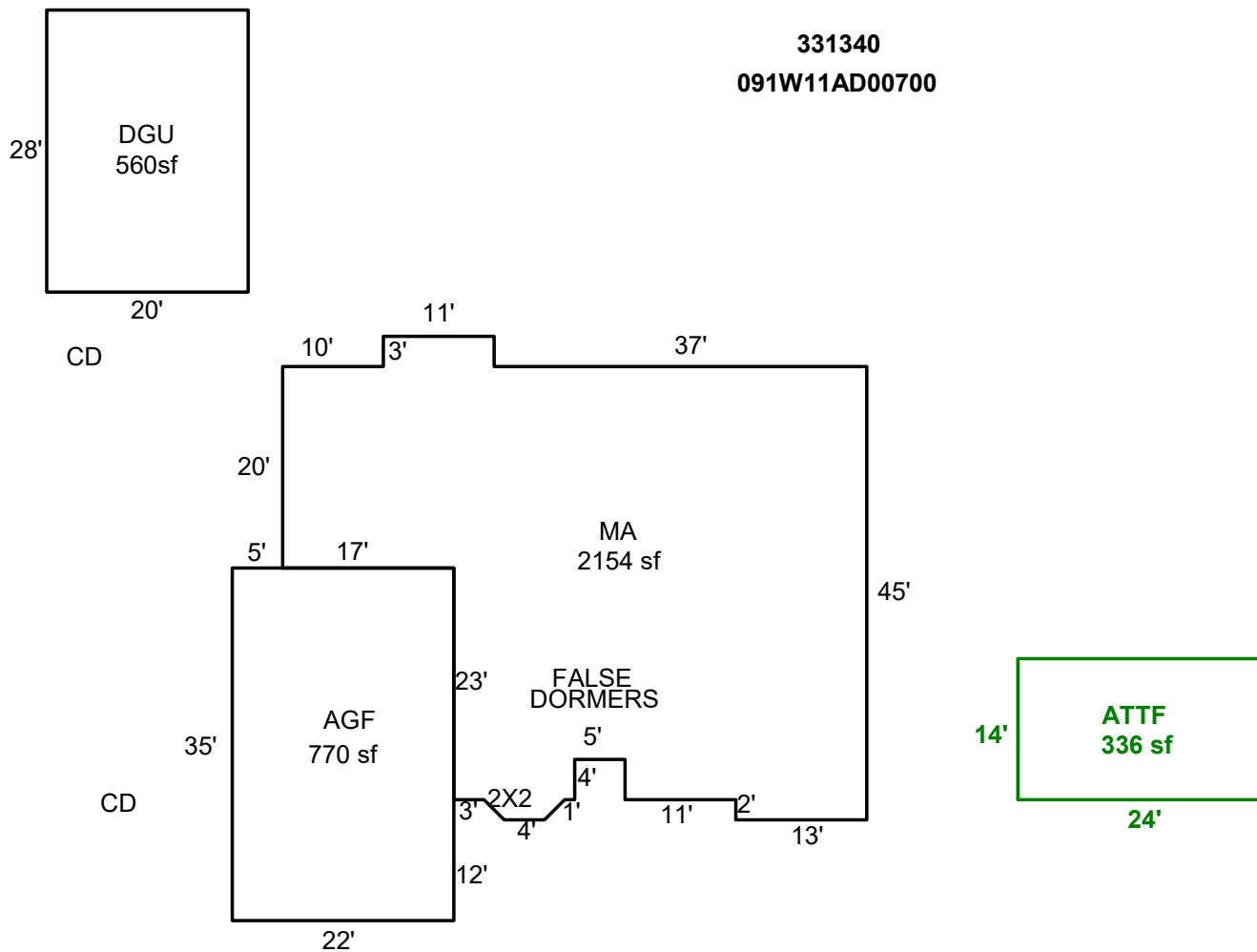


SKETCH/AREA TABLE ADDENDUM

SUBJECT INFO

File No.: 331340 Parcel No.: 091W11AD00700
 Property Address: 2635 E SANTIAM ST
 City: STAYTON County: MARION State: OR ZipCode: 97383
 Owner:
 Client: Client Address:
 Appraiser Name: Inspection Date:

SKETCH



Sketch by ApexSketch

AREA CALCULATIONS SUMMARY

Code	Description	Factor	Net Size	Perimeter	Net Totals
GLA1	MA	1.0	2154.0	221.7	2154.0
GLA2	ATTF	1.0	336.0	76.0	336.0
GAR	AGF	1.0	770.0	114.0	
	DGU	1.0	560.0	96.0	1330.0

COMMENT TABLE 1

DRAWN BY SH 8-11-09
 UPDATED BY RESTILL 9/6/16
 UPDATED BY LK 2.28.25

COMMENT TABLE 2

6-30-16 72 VER CYCLE
 2.25.25 CYCLE GM

COMMENT TABLE 3

Net LIVABLE cnt 1 (rounded) 2,490