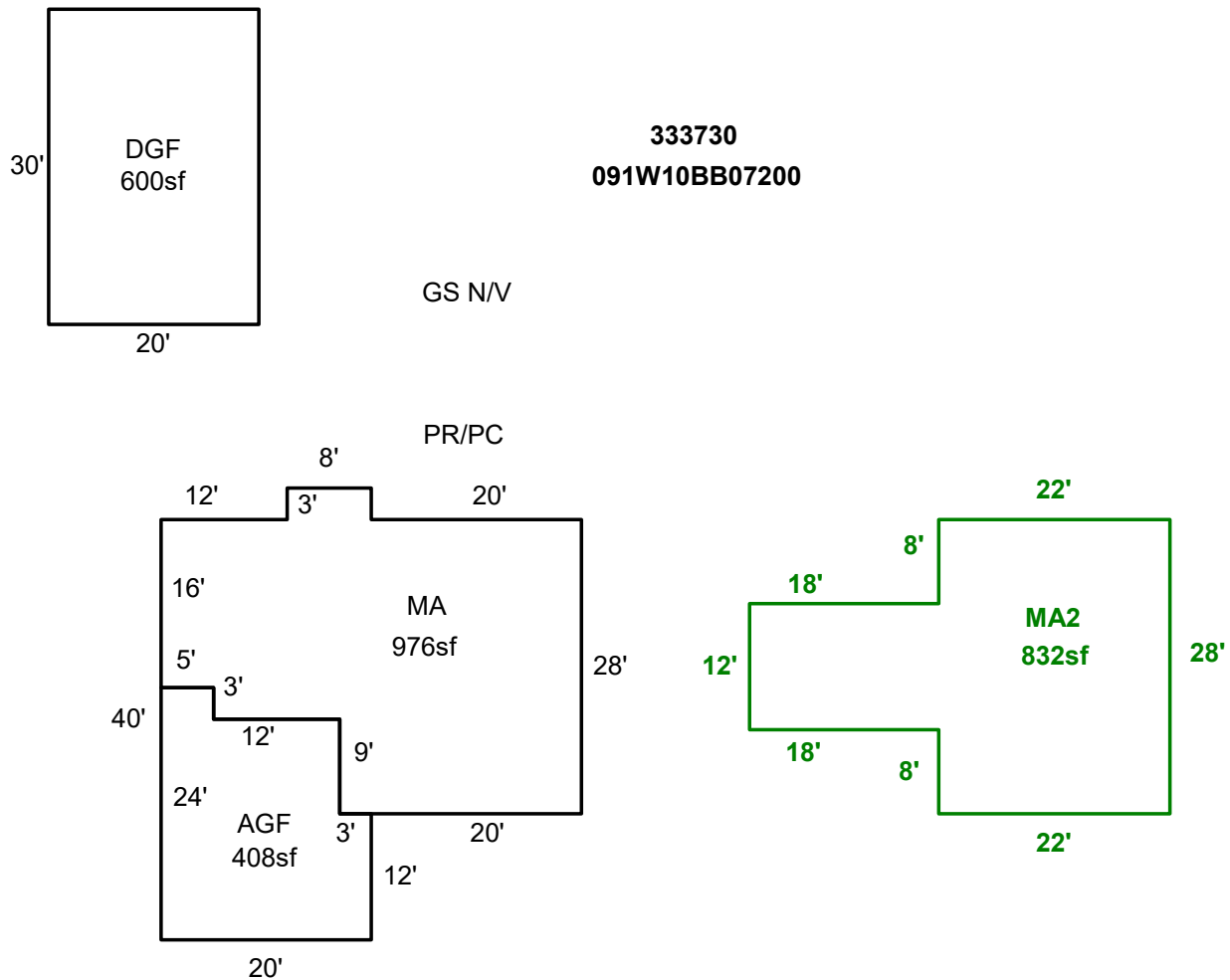


SKETCH/AREA TABLE ADDENDUM

SUBJECT INFO

File No.: 333730 Parcel No.: 091W10BB07200
 Property Address: 1030 WESTERN CT
 City: STAYTON County: State: OR ZipCode: 97383
 Owner:
 Client: Client Address:
 Appraiser Name: Inspection Date:

SKETCH



Sketch by ApexSketch

AREA CALCULATIONS SUMMARY

Code	Description	Factor	Net Size	Perimeter	Net Totals
GLA1	MA	1.0	976.0	142.0	976.0
GLA2	MA2	1.0	832.0	136.0	832.0
GAR	AGF	1.0	408.0	88.0	
	DGF	1.0	600.0	100.0	1008.0

COMMENT TABLE 1

DRAWN BY SH 3-26-09
 UPDATED BY LK 3.5.25

COMMENT TABLE 2

2.19.25 CYCLE DW

COMMENT TABLE 3

Net LIVABLE cnt 1 (rounded) 1,808