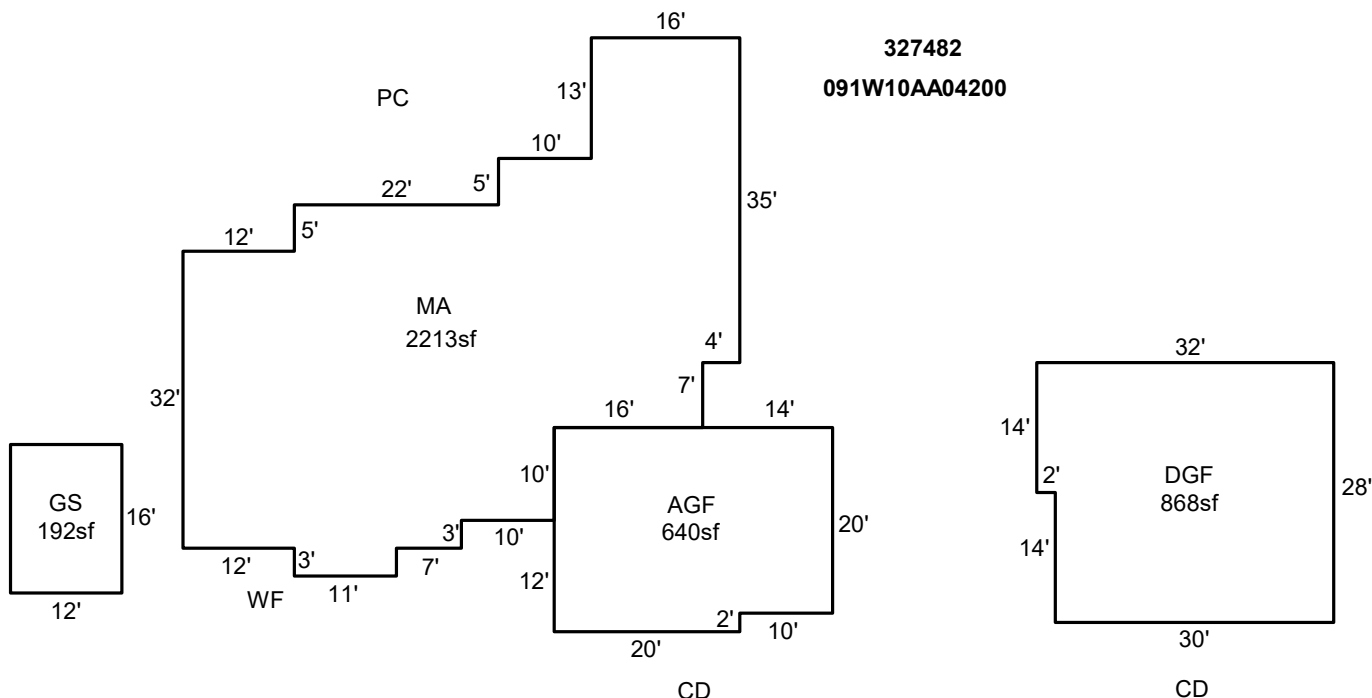


SKETCH/AREA TABLE ADDENDUM

SUBJECT INFO

File No.: 327482 Parcel No.: 091W10AA04200
 Property Address: 1623 SNOW PEAK CT
 City: STAYTON County: Marion State: OR ZipCode: 97383
 Owner:
 Client: Client Address:
 Appraiser Name: Inspection Date:

SKETCH



327482
091W10AA04200

Sketch by ApexSketch

AREA CALCULATIONS SUMMARY

Code	Description	Factor	Net Size	Perimeter	Net Totals
GBA	GS	1.0	192.0	56.0	192.0
GLA	MA	1.0	2213.0	236.0	2213.0
GAR	AGF	1.0	640.0	104.0	
	DGF	1.0	868.0	120.0	1508.0

COMMENT TABLE 1

1/11/06 DRAWN BY BRIAN BEEBE
 UPDATED BY SH 4-2-09
 Updated by AE 3.11.25

COMMENT TABLE 2

COMMENT TABLE 3

Net LIVABLE	cnt	1	(rounded)		2,213
Net BUILDING	cnt	1	(rounded)		192