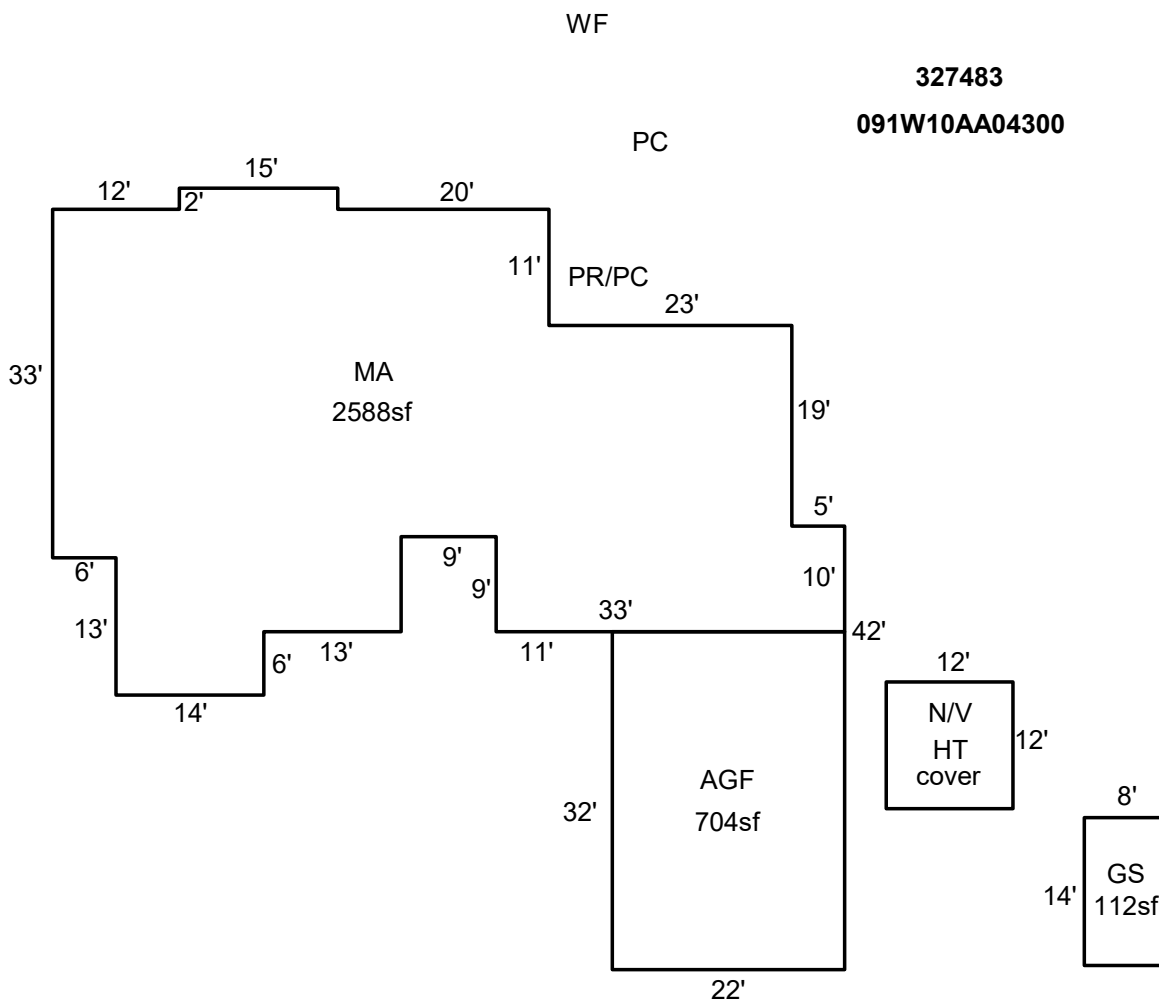


SKETCH/AREA TABLE ADDENDUM

SUBJECT INFO

File No.: 327483 Parcel No.: 091W10AA04300
 Property Address: 1614 SNOW PEAK CT
 City: STAYTON County: Marion State: OR ZipCode: 97383
 Owner:
 Client: Client Address:
 Appraiser Name: Inspection Date:

SKETCH



Sketch by ApexSketch

AREA CALCULATIONS SUMMARY

Code	Description	Factor	Net Size	Perimeter	Net Totals
GBA	GS	1.0	112.0	44.0	112.0
GLA	MA	1.0	2588.0	264.0	2588.0
GAR	AGF	1.0	704.0	108.0	704.0

COMMENT TABLE 1

1/11/06 DRAWN BY BRIAN BEEBE
 UPDATED BY SH 4-2-09
 UPDATED BY LK 2.26.25

COMMENT TABLE 2

2-11-25 CYCLE SH

COMMENT TABLE 3

Net LIVABLE	cnt	1	(rounded)		2,588
Net BUILDING	cnt	1	(rounded)		112