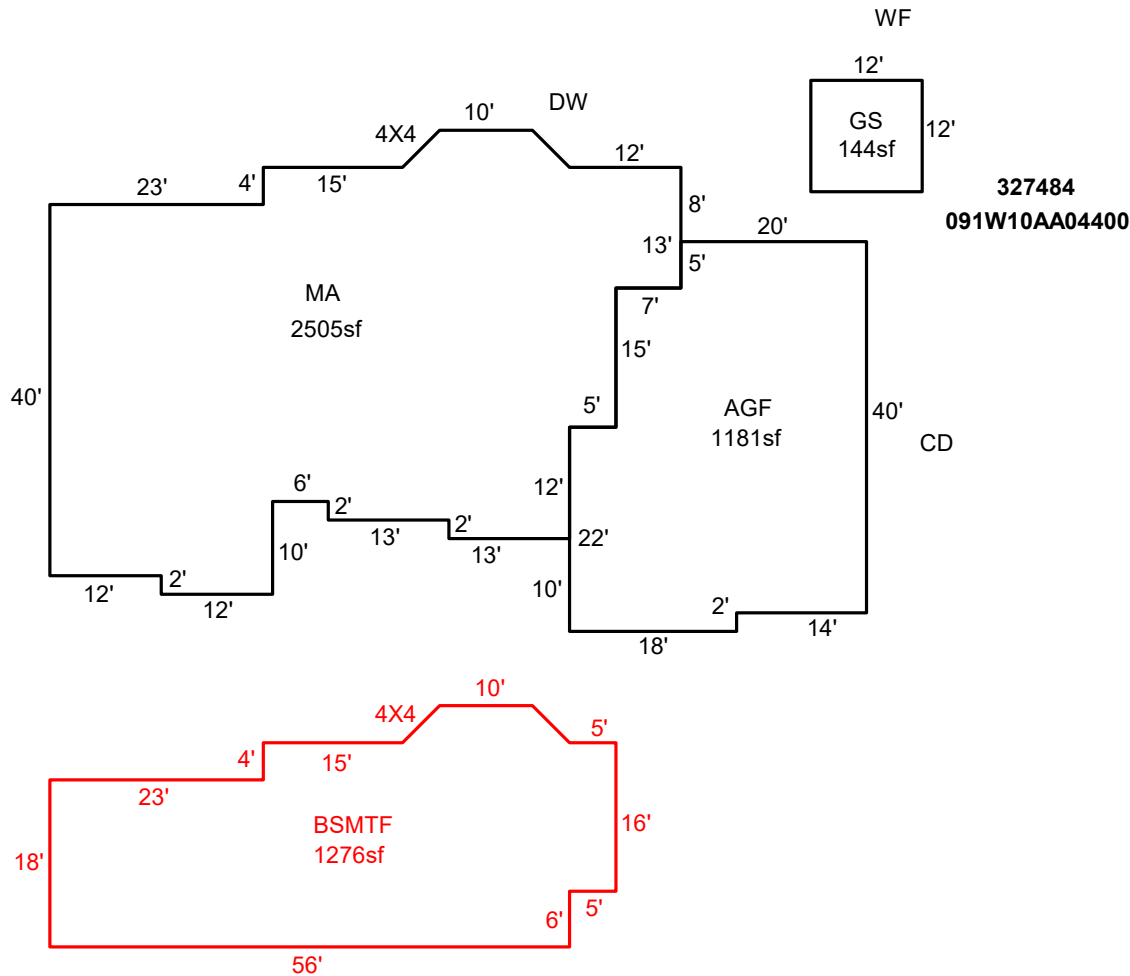


# SKETCH/AREA TABLE ADDENDUM

## SUBJECT INFO

File No.: 327484 Parcel No.: 091W10AA04400  
 Property Address: 1611 MOUNTAIN DR  
 City: STAYTON County: Marion State: OR ZipCode: 97383  
 Owner:  
 Client: Client Address:  
 Appraiser Name: Inspection Date:

## SKETCH



Sketch by ApexSketch

### AREA CALCULATIONS SUMMARY

Code	Description	Factor	Net Size	Perimeter	Net Totals
GBA	GS	1.0	144.0	48.0	144.0
GLA	MA	1.0	2505.0	239.3	2505.0
BSMT	BSMTF	1.0	1276.0	169.3	1276.0
GAR	AGF	1.0	1181.0	148.0	1181.0

### COMMENT TABLE 1

DRAWN BY SH 4-2-09  
 Updated by AE 3.11.25

### COMMENT TABLE 2

### COMMENT TABLE 3

Net LIVABLE	cnt	1	(rounded)		2,505
Net BUILDING	cnt	1	(rounded)		144