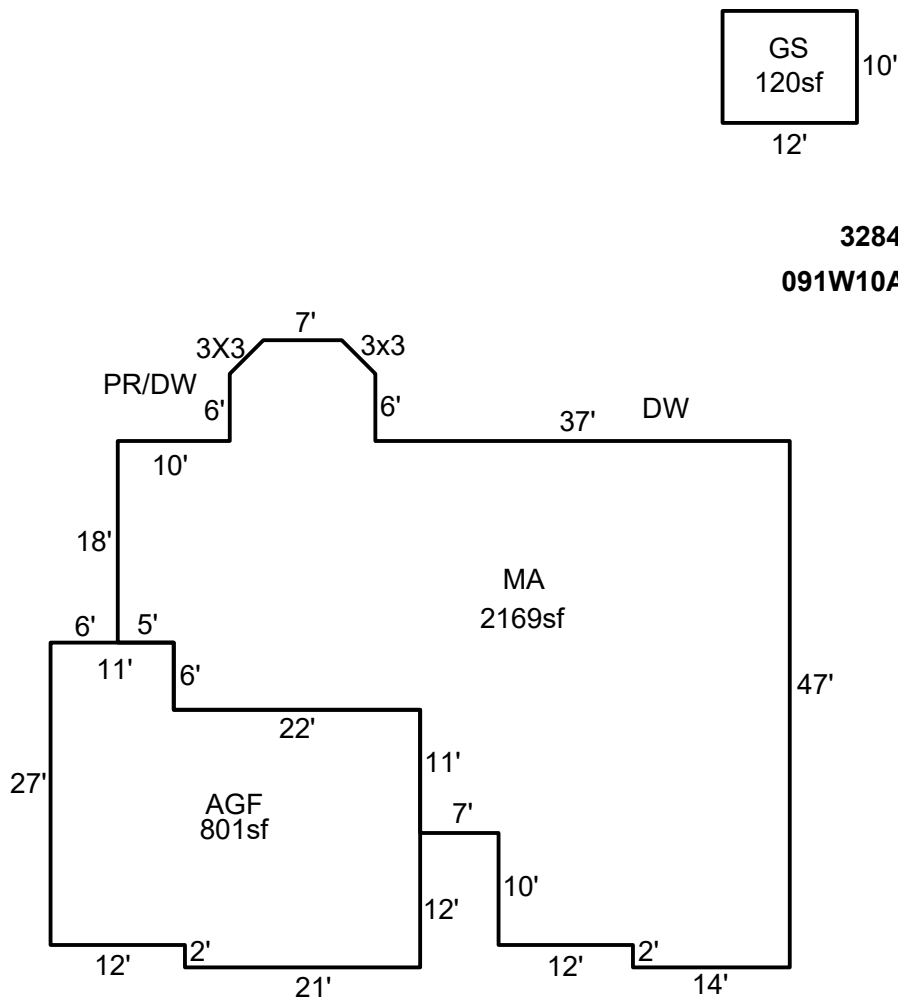


# SKETCH/AREA TABLE ADDENDUM

## SUBJECT INFO

File No.: 328431 Parcel No.: 091W10AA05800  
 Property Address: 1671 MOUNTAIN DR  
 City: STAYTON County: Marion State: OR ZipCode: 97383  
 Owner:  
 Client: Client Address:  
 Appraiser Name: Inspection Date:

## SKETCH



**328431**  
**091W10AA05800**

Sketch by ApexSketch

### AREA CALCULATIONS SUMMARY

Code	Description	Factor	Net Size	Perimeter	Net Totals
GBA	GS	1.0	120.0	44.0	120.0
GLA	MA	1.0	2169.0	228.5	2169.0
GAR	AGF	1.0	801.0	124.0	801.0

### COMMENT TABLE 1

2/3/06 DRAWN BY BRIAN BEEBE  
 UPDATED BY SH 4-6-09  
 Updated by AE 3.10.25

### COMMENT TABLE 2

### COMMENT TABLE 3

Net LIVABLE	cnt	1	(rounded)		2,169
Net BUILDING	cnt	1	(rounded)		120