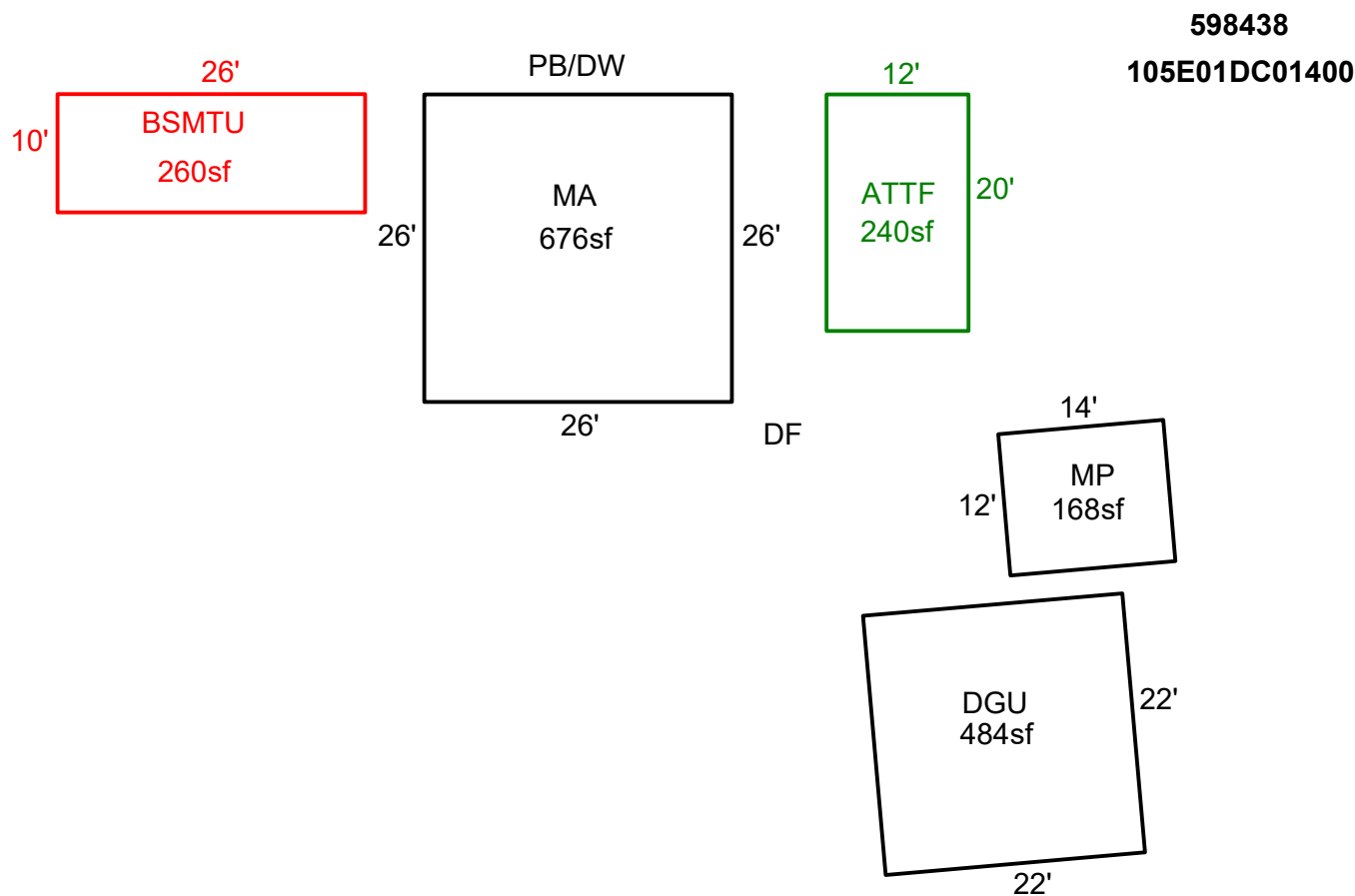


# SKETCH/AREA TABLE ADDENDUM

## SUBJECT INFO

File No.: 598438 Parcel No.: 105E01DC01400  
 Property Address: 195 MACKEY LN E  
 City: DETROIT County: Marion State: OR ZipCode: 97342  
 Owner:  
 Client: Client Address:  
 Appraiser Name: Inspection Date:

## SKETCH



Sketch by ApexSketch

### AREA CALCULATIONS SUMMARY

Code	Description	Factor	Net Size	Perimeter	Net Totals
GBA	MP	1.0	168.0	52.0	168.0
GLA	MA	1.0	676.0	104.0	676.0
GLA2	ATTF	1.0	240.0	64.0	240.0
BSMT	BSMTU	1.0	260.0	72.0	260.0
GAR	DGU	1.0	484.0	88.0	484.0

### COMMENT TABLE 1

DRAWN BY TJS 9-9-13  
 Updated by AE 3.11.25

### COMMENT TABLE 2

### COMMENT TABLE 3

Net LIVABLE	cnt	2	(rounded)	916
Net BUILDING	cnt	1	(rounded)	168