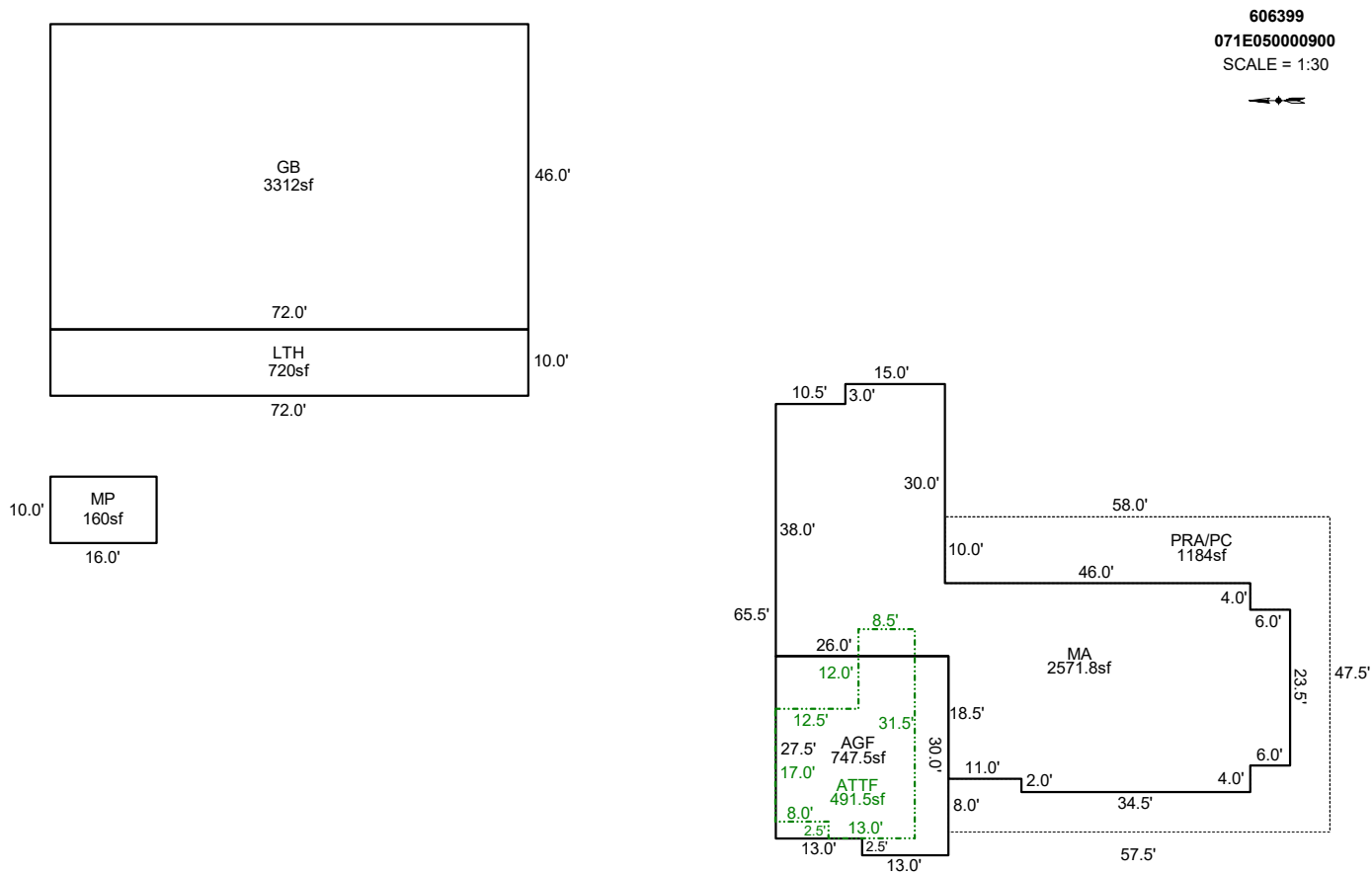


SKETCH/AREA TABLE ADDENDUM

SUBJECT INFO

File No.: 606399 Parcel No.: 071E050000900
 Property Address: 4455 NOBLE CREST LANE NE
 City: SILVERTON County: MARION State: OR ZipCode:
 Owner:
 Client: Client Address:
 Appraiser Name: Inspection Date:

SKETCH



Sketch by ApexSketch

AREA CALCULATIONS SUMMARY						COMMENT TABLE 1			
Code	Description	Factor	Net Size	Perimeter	Net Totals				
GBA1	LTH	1.0	720.0	164.0		APEX BY CJURAN 12/13/2022 555-22-009796 UPDATED BY CLOBERG 09/19/25			
	GB	1.0	3312.0	236.0					
	MP	1.0	160.0	52.0	4192.0				
GLA1	MA	1.0	2571.8	278.0	2571.8				
GLA2	ATTF	1.0	491.5	105.0	491.5				
GAR	AGF	1.0	747.5	112.0	747.5				
P/P	PRA/PC	1.0	1184.0	318.0	1184.0				
						COMMENT TABLE 2	COMMENT TABLE 3		
						CL 09/21/2023 & 12/1/202 MLH 07/09/25	TAGS L2 FARM L3		
Net LIVABLE		cnt	0	(rounded)	3,063				
Net BUILDING		cnt	3	(rounded)	4,192				