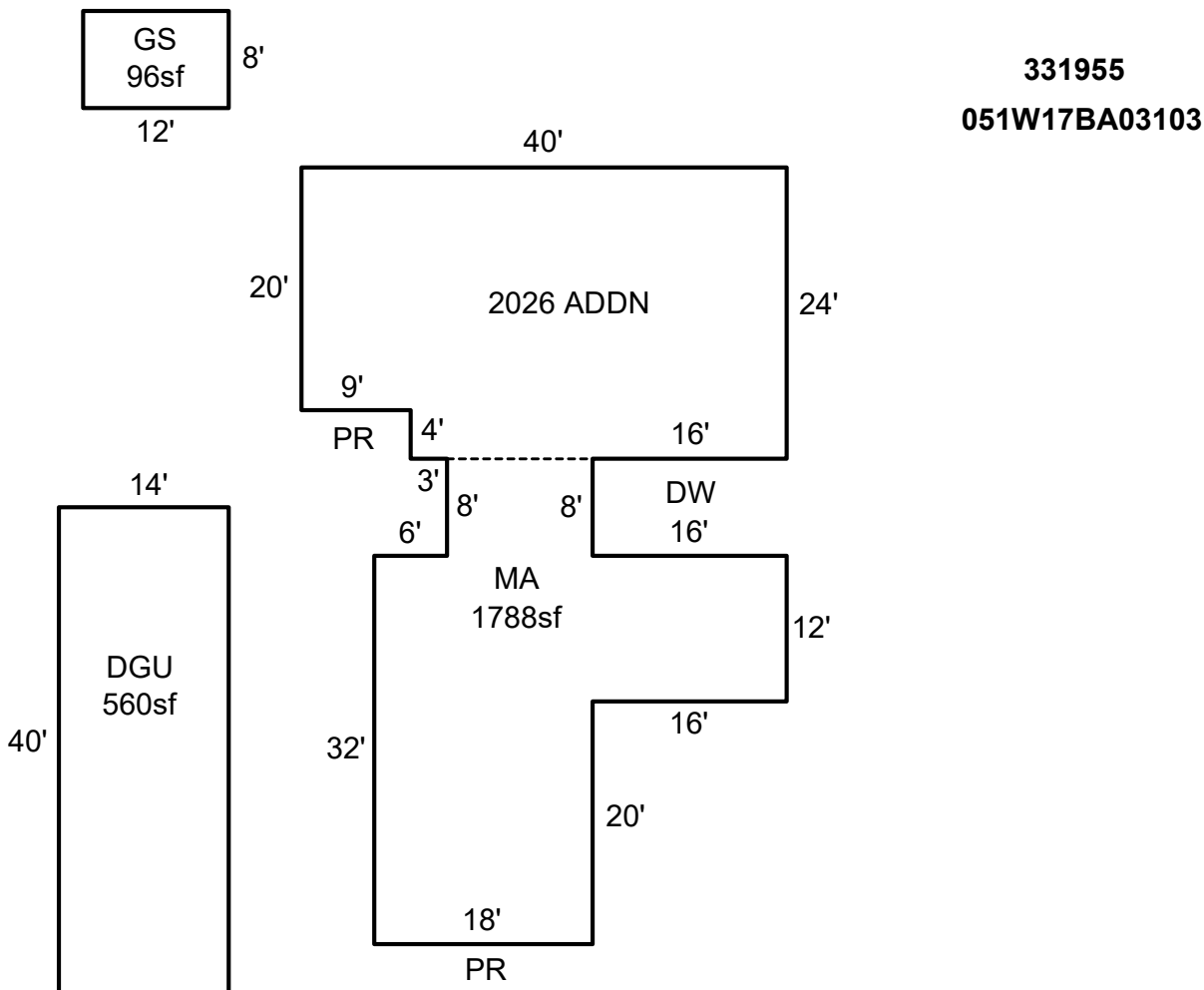


SKETCH/AREA TABLE ADDENDUM

SUBJECT INFO

File No.: 331955 Parcel No.: 051W17BA03103
 Property Address: 1570 BLAINE ST
 City: WOODBURN County: Marion State: OR ZipCode: 97071
 Owner:
 Client: Client Address:
 Appraiser Name: Inspection Date:

SKETCH



Sketch by ApexSketch

AREA CALCULATIONS SUMMARY

Code	Description	Factor	Net Size	Perimeter	Net Totals
GBA	GS	1.0	96.0	40.0	96.0
GLA	MA	1.0	1788.0	252.0	1788.0
GAR	DGU	1.0	560.0	108.0	560.0

COMMENT TABLE 1

DRAWN BY PST 06/07/2010
 UPDATED BY MONA 07.31.17
 Updated by AE 10.21.25

COMMENT TABLE 2

6-13-17 96 Cycle NV

COMMENT TABLE 3

Net LIVABLE	cnt	1	(rounded)		1,788
Net BUILDING	cnt	1	(rounded)		96