

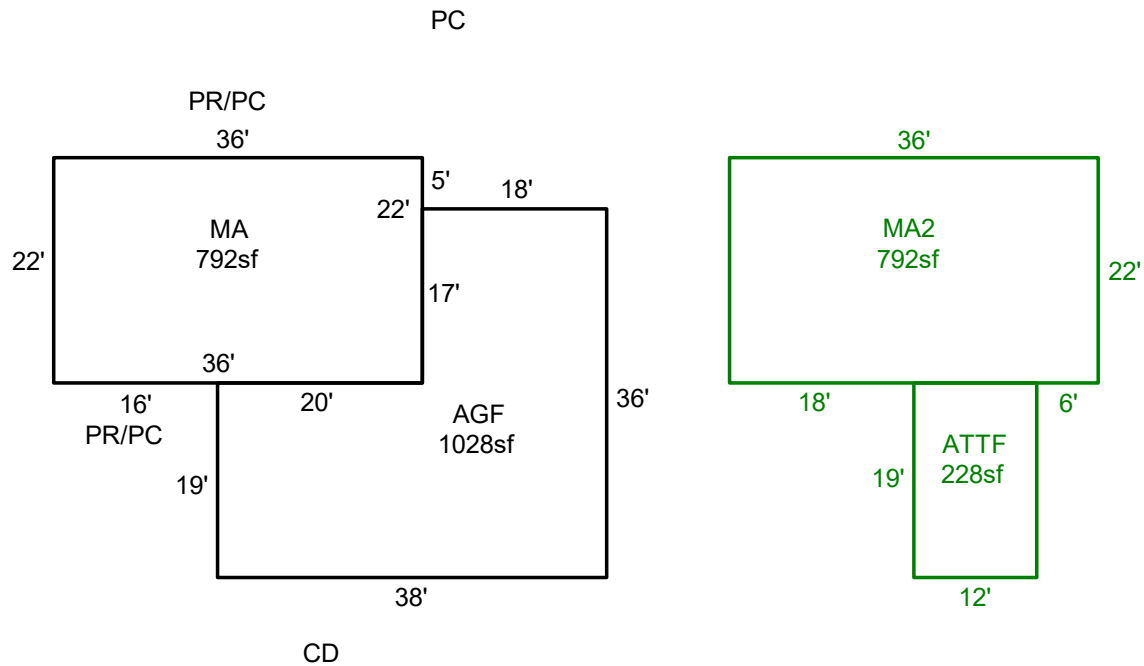
SKETCH/AREA TABLE ADDENDUM

SUBJECT INFO

File No.: 321178 Parcel No.: 103W12CB11700
 Property Address: 207 FAITH ST
 City: JEFFERSON County: Marion State: OR ZipCode: 97352
 Owner:
 Client: Client Address:
 Appraiser Name: Inspection Date:

SKETCH

321178
103W12CB11700



Sketch by ApexSketch

AREA CALCULATIONS SUMMARY						COMMENT TABLE 1	
Code	Description	Factor	Net Size	Perimeter	Net Totals		
GLA	MA	1.0	792.0	116.0	792.0	DRAWN BY PST 1/08/09 Updated 10.27.25 AE	
GLA2	MA2	1.0	792.0	116.0			
	ATTF	1.0	228.0	62.0	1020.0		
GAR	AGF	1.0	1028.0	148.0	1028.0		
						COMMENT TABLE 2	COMMENT TABLE 3
						2/24/09 #28 N/V #28 6/13/16 10/17/24 GM SV	
Net LIVABLE		cnt	3 (rounded)		1,812		