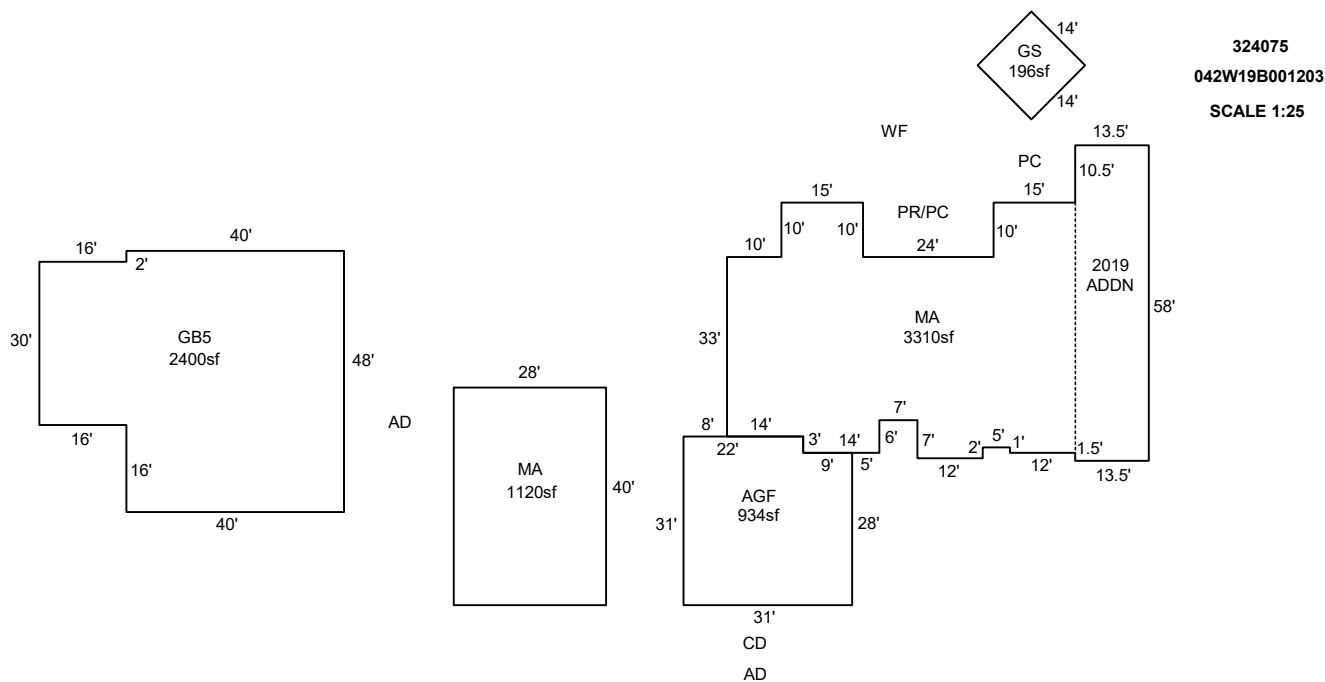


SKETCH/AREA TABLE ADDENDUM

SUBJECT INFO

File No.: 324075 Parcel No.: 042W19B001203
 Property Address: 3924 MISSION RD NE
 City: ST PAUL County: Marion State: OR ZipCode: 97137
 Owner:
 Client: Client Address:
 Appraiser Name: Inspection Date:

SKETCH



Sketch by ApexSketch

AREA CALCULATIONS SUMMARY						COMMENT TABLE 1	
Code	Description	Factor	Net Size	Perimeter	Net Totals		
GBA	GB5	1.0	2400.0	208.0		DRAWN BY PST 10/06/09 UPDATED BY KMOORE 3/13/19 UPDATED BY CBAILEY 5/18/22 Updated by AE 11.12.25	
	GS	1.0	196.0	56.0			
	MA	1.0	1120.0	136.0	3716.0		
GLA	MA	1.0	3310.0	307.0	3310.0		
GAR	AGF	1.0	934.0	124.0	934.0		
	Net LIVABLE	cnt	1 (rounded)	3,310		COMMENT TABLE 2	
	Net BUILDING	cnt	3 (rounded)	3,716		COMMENT TABLE 3	