

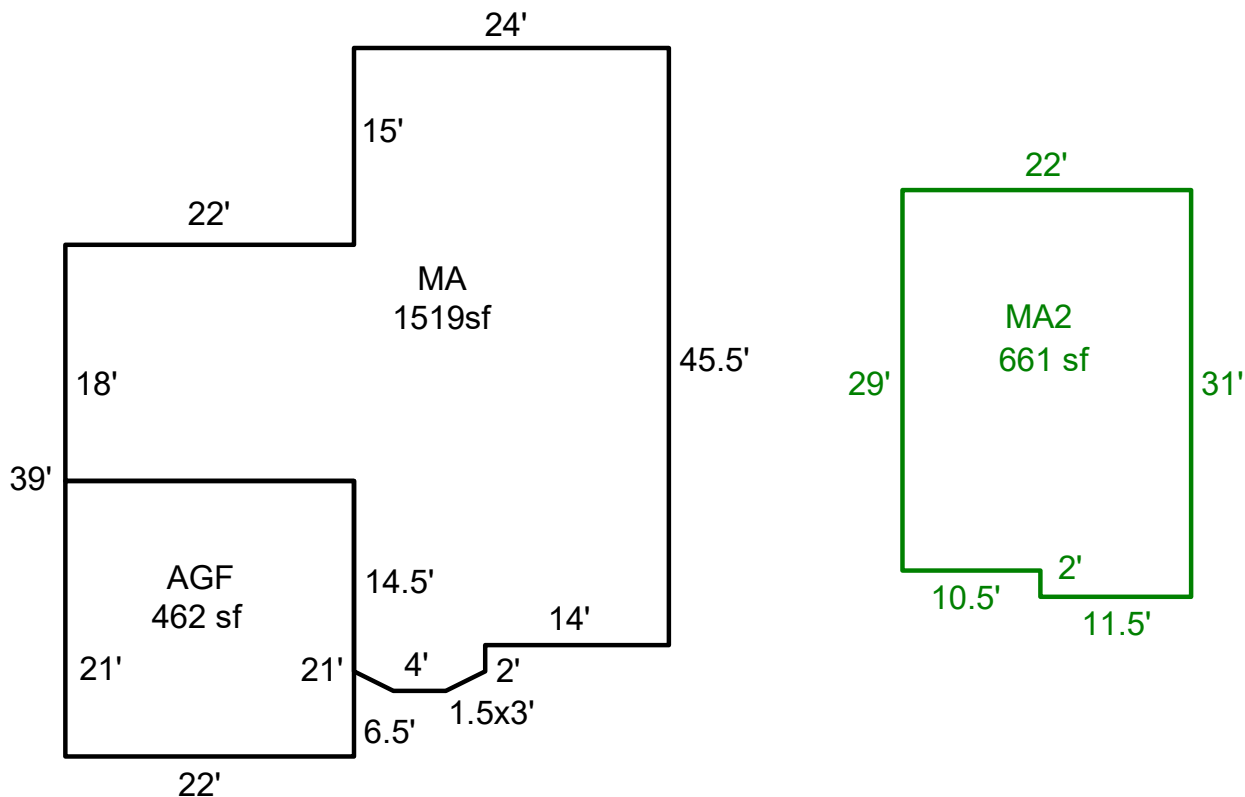
SKETCH/AREA TABLE ADDENDUM

SUBJECT INFO

File No.: 599938 Parcel No.: 041W33AA08400
 Property Address: 2245 C ST
 City: HUBBARD County: Marion State: OR ZipCode: 97032
 Owner:
 Client: Client Address:
 Appraiser Name: Inspection Date:

SKETCH

599938
041W33AA08400



Sketch by ApexSketch

AREA CALCULATIONS SUMMARY

Code	Description	Factor	Net Size	Perimeter	Net Totals
GLA	MA	1.0	1518.5	187.7	1518.5
GLA2	MA2	1.0	661.0	106.0	661.0
GAR	AGF	1.0	462.0	86.0	462.0

COMMENT TABLE 1

APEXED BY NRC 05/26/2009
Updated by AE 12.16.25

COMMENT TABLE 2

12/30/22 #24 SV

COMMENT TABLE 3

Net LIVABLE cnt 2 (rounded) 2,180