

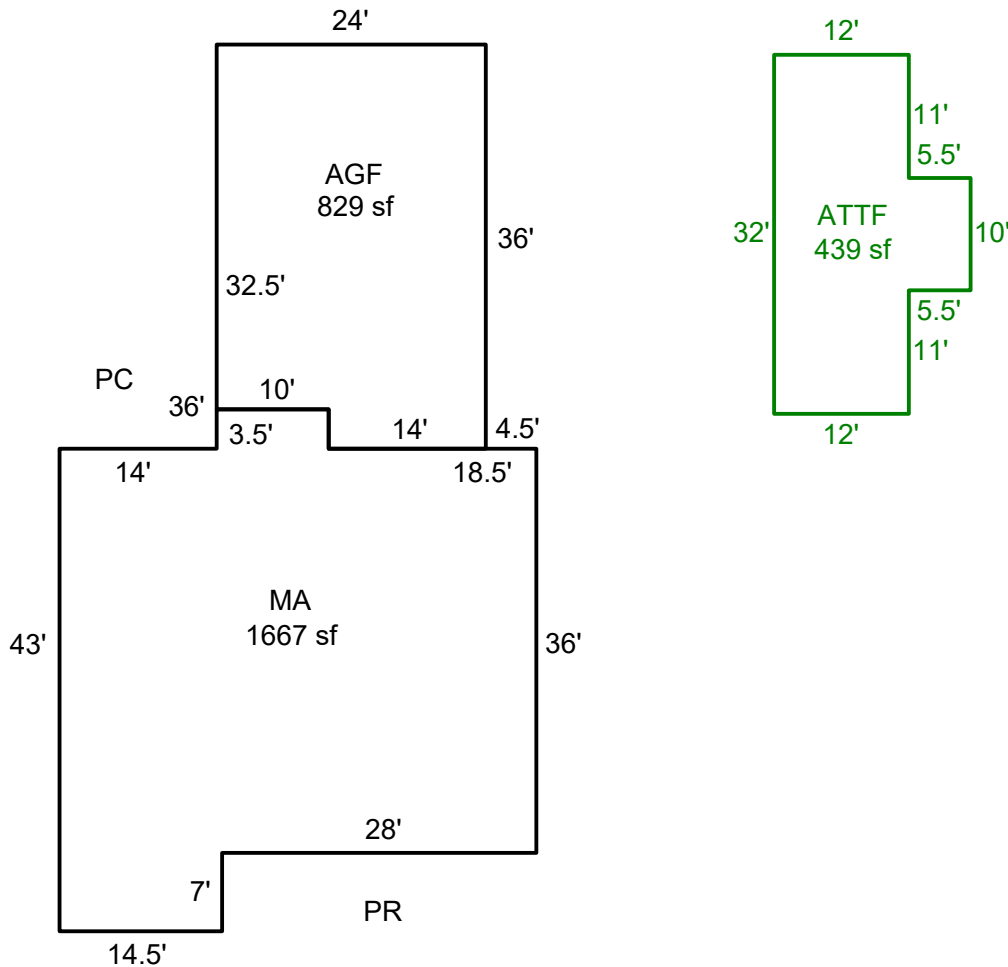
SKETCH/AREA TABLE ADDENDUM

SUBJECT INFO

File No.: 611536 Parcel No.: 083W11AB04700
 Property Address: 4072 Dornoch Ln SE
 City: Salem County: Marion State: OR ZipCode: 97302
 Owner:
 Client: Client Address:
 Appraiser Name: Inspection Date:

SKETCH

611536
083W11AB04700



Sketch by ApexSketch

AREA CALCULATIONS SUMMARY

Code	Description	Factor	Net Size	Perimeter	Net Totals
GLA	MA	1	1667	178	1667
GLA2	ATTF	1	439	99	439
GAR	AGF	1	829	120	829

COMMENT TABLE 1

Drawn by AE 7.1.25
 UPDATED BY LK 1.8.25

COMMENT TABLE 2

12.16.25 TAG GM

COMMENT TABLE 3

Net LIVABLE cnt 2 (rounded) 2,106