

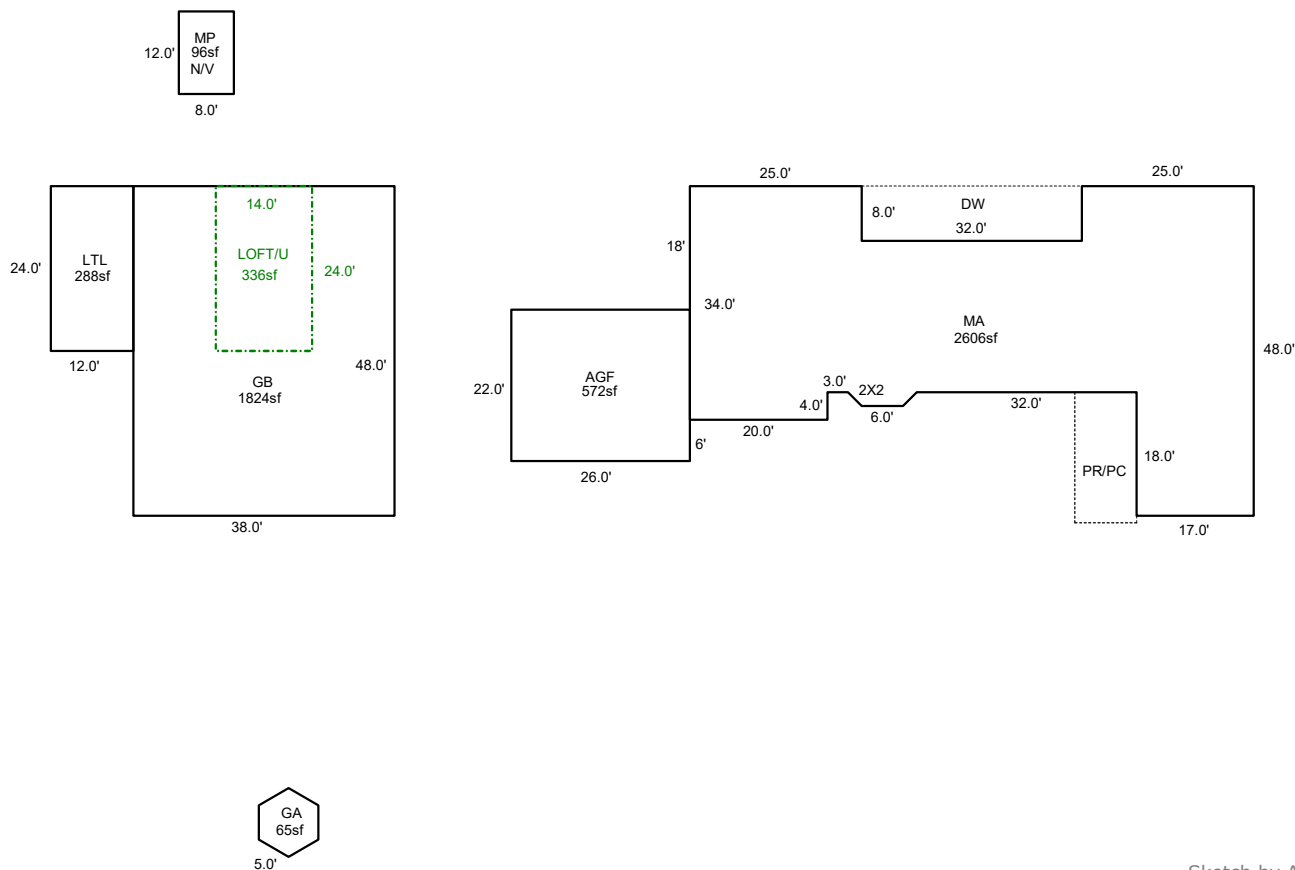
# SKETCH/AREA TABLE ADDENDUM

## SUBJECT INFO

File No.: 324414 Parcel No.: 072W28A 01303  
 Property Address: 6305 STEVIE LN NE  
 City: SALEM County: MARION State: OR ZipCode: 97317  
 Owner:  
 Client: Client Address:  
 Appraiser Name: Inspection Date:

## SKETCH

324414  
072W28A 01303  
SCALE=1:30



Sketch by ApexSketch

### AREA CALCULATIONS SUMMARY

Code	Description	Factor	Net Size	Perimeter	Net Totals
GBA1	LTL	1.0	288.0	72.0	
	MP	1.0	96.0	40.0	
	GA	1.0	65.0	30.0	449.0
GBA2	GB	1.0	1824.0	172.0	1824.0
GLA1	MA	1.0	2606.0	285.7	2606.0
GAR	AGF	1.0	572.0	96.0	572.0
LOFT	LOFT/U	1.0	336.0	76.0	336.0
Net LIVABLE		cnt	1 (rounded)		3,178
Net BUILDING		cnt	1 (rounded)		2,609

### COMMENT TABLE 1

DRAWN BY JRONDEMA 9/10/15  
 UPDATED BY CLOBERG 03/06/26

### COMMENT TABLE 2

MLH 02/27/26

### COMMENT TABLE 3

SV L4