

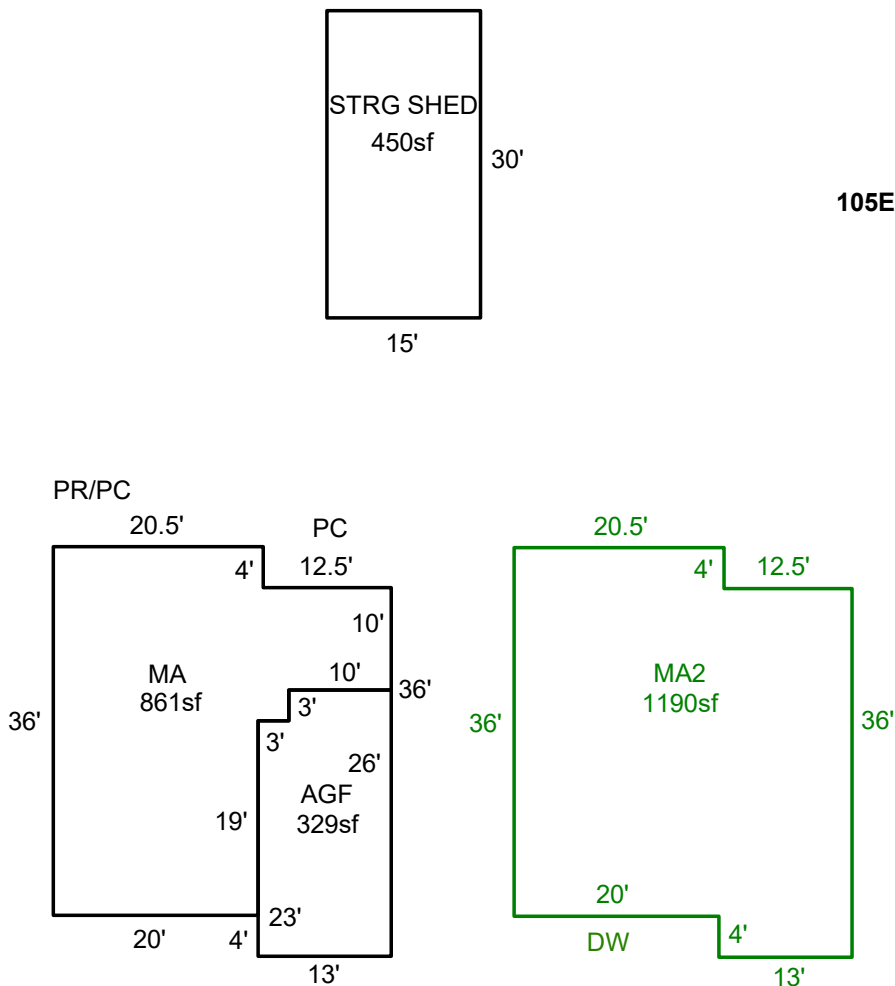
SKETCH/AREA TABLE ADDENDUM

SUBJECT INFO

File No.: 598161	Parcel No.: 105E02DA02900
Property Address: 135 SANTIAM AVE W	
City: DETROIT	County: Marion
State: OR	ZipCode: 97342
Owner:	
Client:	
Appraiser Name:	Client Address:
Inspection Date:	

SKETCH

598161
105E02DA02900



Sketch by ApexSketch

AREA CALCULATIONS SUMMARY

Code	Description	Factor	Net Size	Perimeter	Net Totals
GBA	STRG SHED	1.0	450.0	90.0	450.0
GLA	MA	1.0	861.0	138.0	861.0
GLA2	MA2	1.0	1190.0	146.0	1190.0
GAR	AGF	1.0	329.0	78.0	329.0

COMMENT TABLE 1

Apex by RW 06/27/08
 UPDATED BY JT 4/10/24
 Updated by AE 12.6.24
 Updated by AE 3.18.26

COMMENT TABLE 2

V 12.3.24 02

COMMENT TABLE 3

Net LIVABLE	cnt	2	(rounded)		2,051
Net BUILDING	cnt	1	(rounded)		450