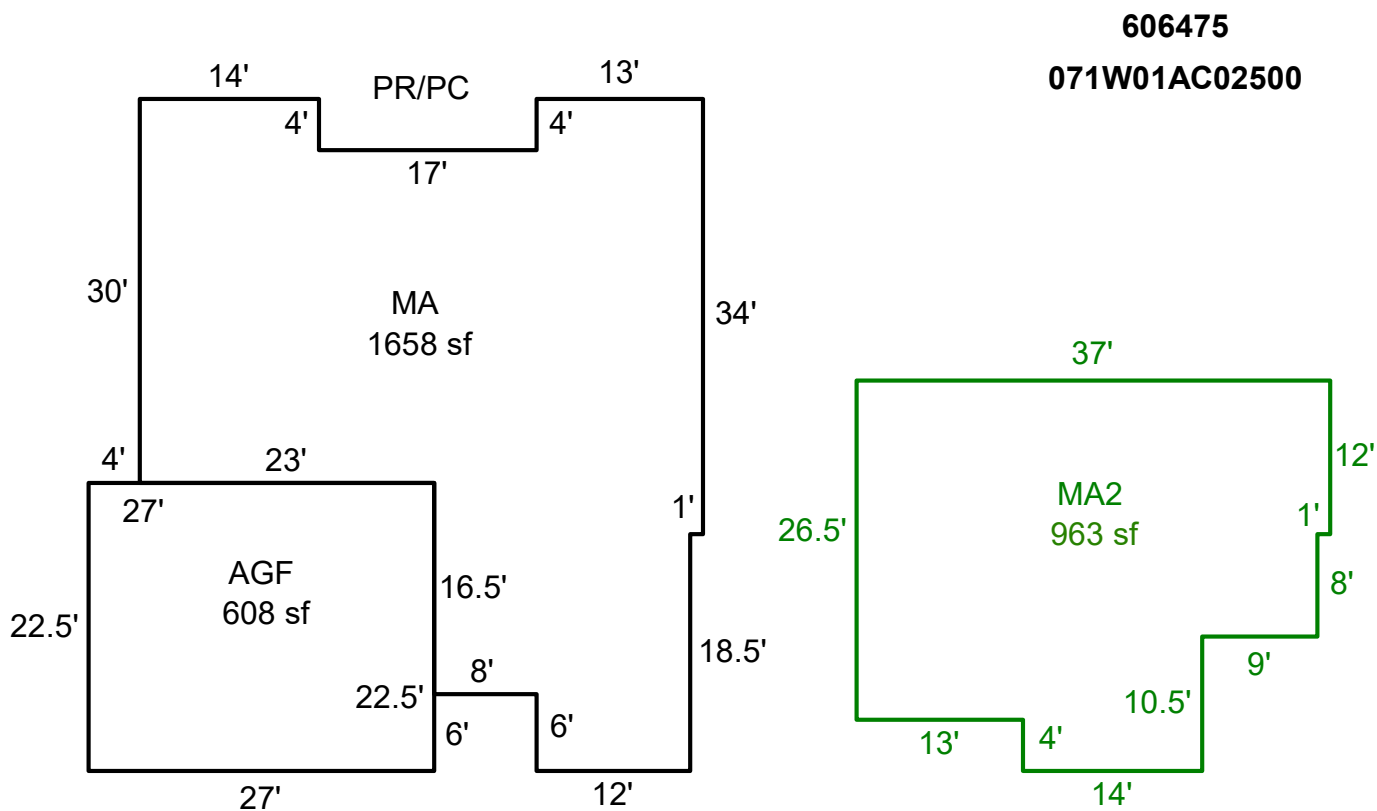


SKETCH/AREA TABLE ADDENDUM

SUBJECT INFO

File No.: 606475 Parcel No.: 071W01AC02500
 Property Address: 770 Riley Dr
 City: Silverton County: Marion State: OR ZipCode: 97381
 Owner:
 Client: Client Address:
 Appraiser Name: Inspection Date:

SKETCH



Sketch by ApexSketch

AREA CALCULATIONS SUMMARY

Code	Description	Factor	Net Size	Perimeter	Net Totals
GLA	MA	1.0	1658.0	201.0	1658.0
GLA2	MA2	1.0	963.5	135.0	963.5
GAR	AGF	1.0	607.5	99.0	607.5

COMMENT TABLE 1

DRAWN BY CEHLIN 1/31/23
 Updated by AE 6.25.25
 UPDATED BY LK 3.4.26

COMMENT TABLE 2

2.5.26 TAG VER AG

COMMENT TABLE 3

Net LIVABLE cnt 2 (rounded) 2,622