

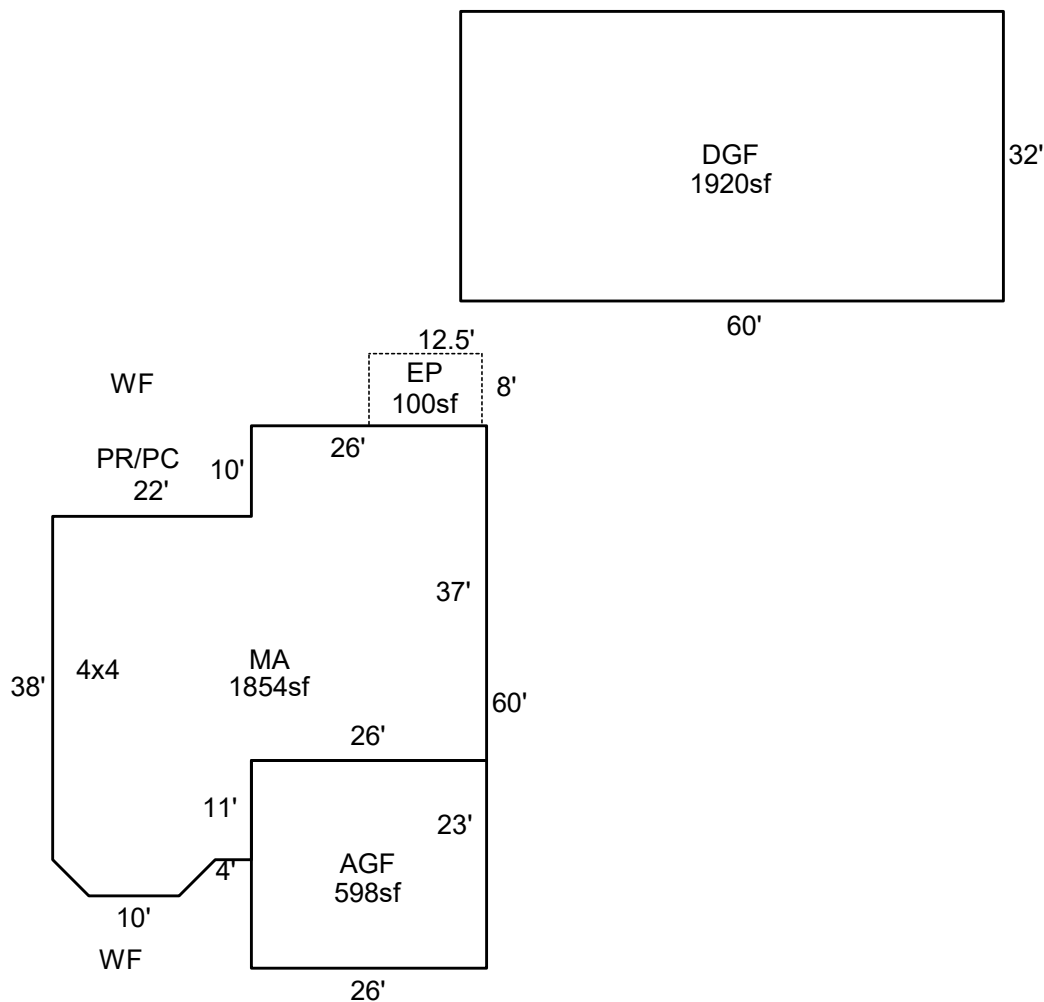
SKETCH/AREA TABLE ADDENDUM

SUBJECT INFO

File No.: 106139 Parcel No.: 051W18DC03000
 Property Address: 1085 DEER RUN
 City: WOODBURN County: State: OR ZipCode: 97071
 Owner:
 Client: Client Address:
 Appraiser Name: Inspection Date:

SKETCH

106139
051W18DC03000



Sketch by ApexSketch

AREA CALCULATIONS SUMMARY

Code	Description	Factor	Net Size	Perimeter	Net Totals
GLA1	MA	1.0	1854.0	195.3	1854.0
DGF	DGF	1.0	1920.0	184.0	1920.0
GARAGE	AGF	1.0	598.0	98.0	598.0
P/P	EP	1.0	100.0	41.0	100.0

COMMENT TABLE 1

DRAWN 6/28/10 BY PL
 UPDATED BY LK 6.16.26

COMMENT TABLE 2

5.28.26 SV AG

COMMENT TABLE 3

Net LIVABLE cnt 0 (rounded) 1,854