

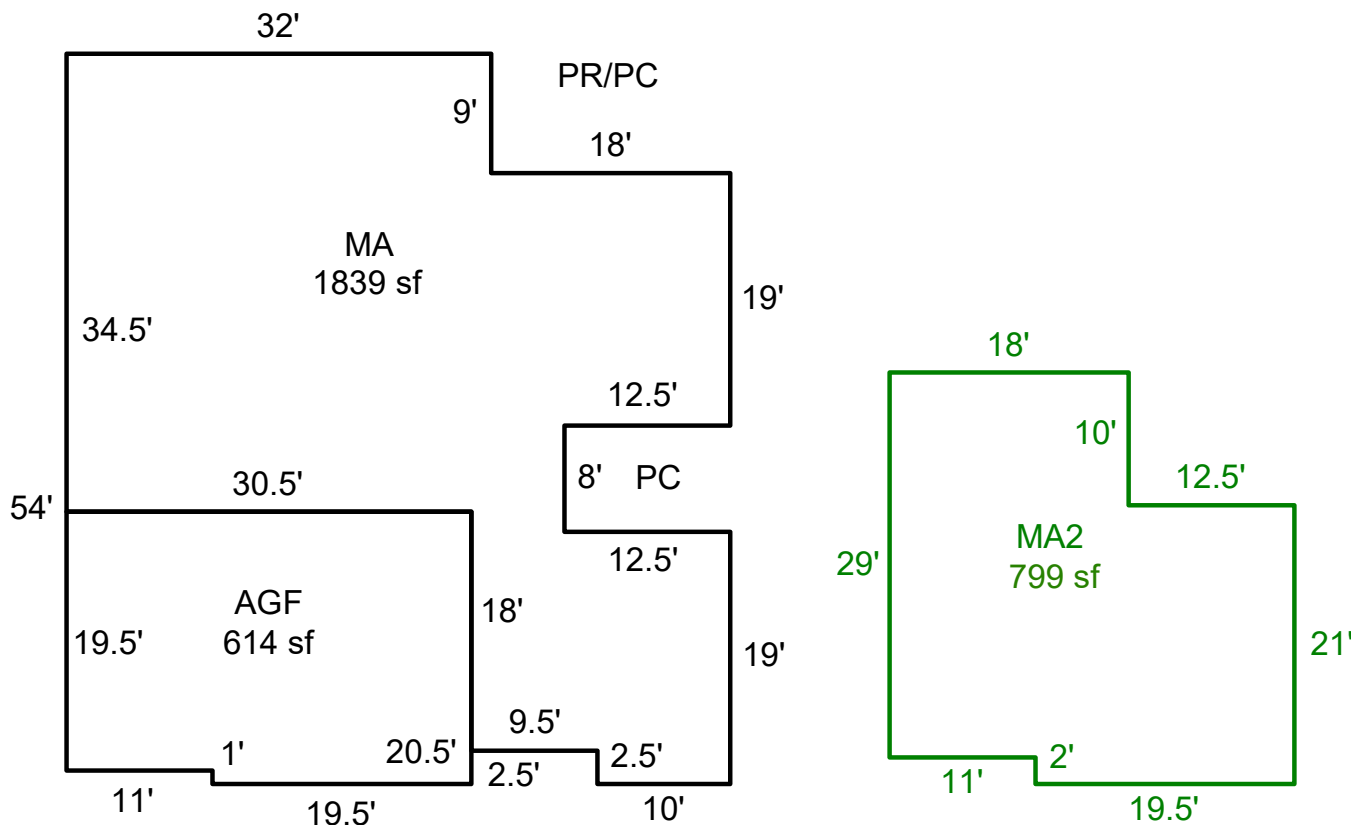
SKETCH/AREA TABLE ADDENDUM

SUBJECT INFO

File No.: 609898 Parcel No.: 051W06DB01600
 Property Address: 3202 Nightingale Dr
 City: Woodburn County: Marion State: OR ZipCode: 97071
 Owner:
 Client:
 Appraiser Name: Client Address: Inspection Date:

SKETCH

609898
051W06DB01600



Sketch by ApexSketch

AREA CALCULATIONS SUMMARY

Code	Description	Factor	Net Size	Perimeter	Net Totals
GLA	MA	1.0	1839.0	235.0	1839.0
GLA2	MA2	1.0	798.5	123.0	798.5
GAR	AGF	1.0	614.3	102.0	614.3

COMMENT TABLE 1

Drawn by AE 6.16.26

COMMENT TABLE 2

COMMENT TABLE 3

Net LIVABLE cnt 2 (rounded) 2,638