

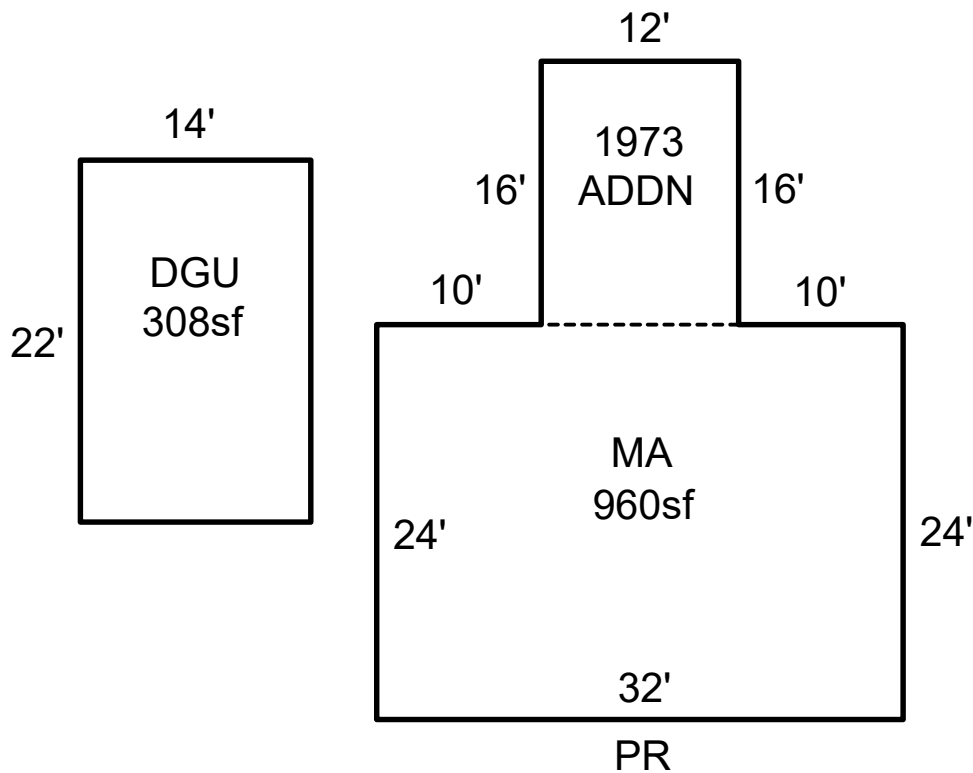
# SKETCH/AREA TABLE ADDENDUM

## SUBJECT INFO

File No.: 613934 Parcel No.: 072W30CD00101  
 Property Address: 4190 HUDSON AV NE  
 City: SALEM County: Marion State: OR ZipCode: 97301  
 Owner:  
 Client: Client Address:  
 Appraiser Name: Inspection Date:

## SKETCH

**613934**  
**072W30CD00101**



Sketch by ApexSketch

### AREA CALCULATIONS SUMMARY

Code	Description	Factor	Net Size	Perimeter	Net Totals
GLA	MA	1.0	960.0	144.0	960.0
GAR	DGU	1.0	308.0	72.0	308.0

### COMMENT TABLE 1

DRAWN BY TB 12/04/09  
 Updated by AE 6.9.26

### COMMENT TABLE 2

### COMMENT TABLE 3

Net LIVABLE                      cnt                      1      (rounded)                      960