

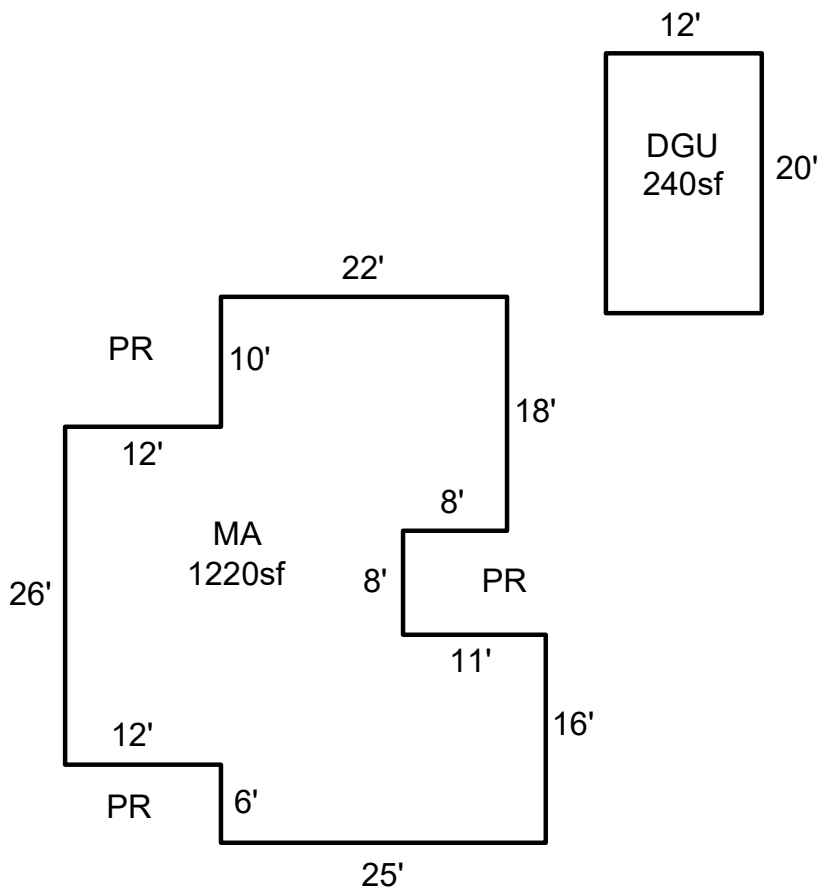
SKETCH/AREA TABLE ADDENDUM

SUBJECT INFO

File No.: 106564 Parcel No.: 051W18DB04700
 Property Address: 630 WILSON ST
 City: WOODBURN County: Marion State: OR ZipCode: 97071
 Owner:
 Client: Client Address:
 Appraiser Name: Inspection Date:

SKETCH

106564
051W18DB04700



Sketch by ApexSketch

AREA CALCULATIONS SUMMARY

Code	Description	Factor	Net Size	Perimeter	Net Totals
GLA	MA	1.0	1220.0	174.0	1220.0
GAR	DGU	1.0	240.0	64.0	240.0

COMMENT TABLE 1

DRAWN 6/18/10 BY PL
 Updated by AE 6.17.26

COMMENT TABLE 2

7-31-17 DT4 Cycle NV
 12-4-23 GM Cycle N/C

COMMENT TABLE 3

Net LIVABLE cnt 1 (rounded) 1,220